

# Marine diesel emission control has never been easier!

Diesel engines are an excellent power source, with the exception of their emissions. Particulate Matter (PM)/soot is an ongoing issue causing frustration, additional work for the crew, possibly mechanical difficulties, and loss of enjoyment in a pleasure boat environment.

The GreenTRAP™ 320 VOLT is a passive/active PM control system that automatically performs self-cleaning (regeneration) without relying on engine exhaust temperature. When temperature is not sufficient for passive regeneration, a set of electric heater coils are used to increase the temperature for active regeneration. A control unit evaluates the system parameters such as temperature, pressure and exhaust mass flow rate in real time and uses these values to predict and activate the regeneration cycle.

In addition, the system uses a proprietary catalyst on the inner surfaces of the filter walls which reduces the regeneration temperature and therefore allows the system to passively regenerate in favorable engine exhaust operating temperatures leading to a less frequent active regeneration requirement. In addition to 95-99% PM reduction the system provides a reduction in Carbon Monoxide (CO) and Hydrocarbons (HC) emission greater than 90% and 95% respectively.

The GreenTRAP™ VOLT 320 system is customized to fit your specific application, providing you full control over PM, rather than allowing PM to control you.

GreenTRAP™

# Volt 320

active diesel particulate filter



scan and learn



Sold and supported globally, Nett Technologies Inc., develops and manufactures proprietary catalytic solutions that use the latest in diesel oxidation catalyst (DOC), diesel particulate filter (DPF), selective catalytic reduction (SCR), engine electronics, stationary engine silencer, exhaust system and exhaust gas dilution technologies. Our reliable and real-world emission solutions will extend the usable life of existing equipment while allowing you to avoid costly future replacements. We manufacture emission control solutions that are California Air Resources Board (ARB) and the U.S. Environmental Protection Agency (EPA) verified. As the emission control authority, we are here to help you navigate through the hassles and complexities of emission control compliance.

**NETT**  
TECHNOLOGIES INC.  
...the emission control authority.

[www.nettinc.com](http://www.nettinc.com)

## GreenTRAP™ VOLT 320 PRODUCT OVERVIEW

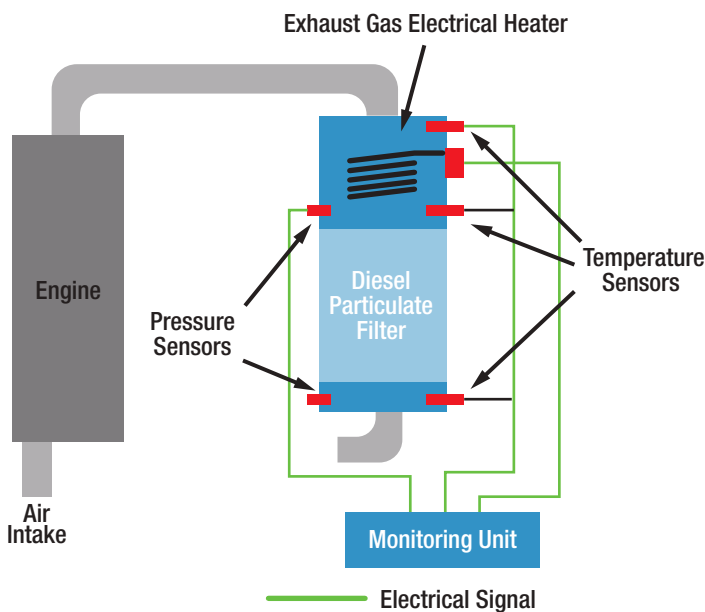
### How does the VOLT 320 Active Diesel Particulate Filter work?

Nett Technologies' GreenTRAP™ VOLT 320 is a Passive/Active Diesel Particulate Filter (DPF) system that can perform the regeneration without relying on engine exhaust temperature. Contained within the VOLT 320 are a set of electric heater coils that are used to increase the temperature of the exhaust for active regeneration. The wall-flow DPF traps Particulate Matter (PM)/soot emission emitted by the diesel engine. The cylindrical filter element of the device consists of many square parallel channels running in axial direction, separated by thin porous walls. A proprietary catalyst is wash-coated on the inner surfaces of the monolith channels. The inner catalyst lowers the PM oxidation temperature allowing filter to passively regenerate at lower temperatures.

When the exhaust temperature is not sufficient for passive regeneration, an active regeneration will be automatically triggered. During active regeneration, the electrical control unit utilizes excessive power of your generator in a controlled manner to increase the exhaust temperature to levels that can safely oxidize collected soot in the DPF.

The duration of an active regeneration is approximately 20 minutes.

### GreenTRAP™ VOLT 320 System Schematic Drawing

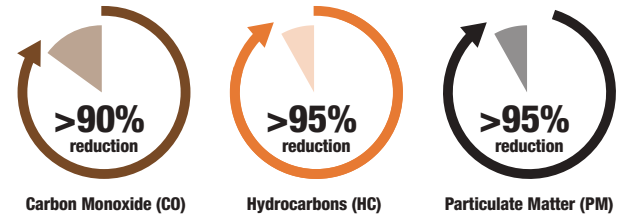


## PRODUCT FEATURES

- Active system (electrically regenerated)
- Ideal for generators with an overall output of 50kw to 450kw
- Automatic or manual regeneration modes
- Internally insulated avoiding external blankets
- Computerized controller with 3 customizable alarms
- Maintenance intervals of 2000 to 5000 hours
- Programmable regeneration profile with data logging capabilities
- Colour display informing of system operational conditions and status
- Energy efficient (20 minutes regeneration time)
- Load measurement feature to prevent generator overload during regeneration

## EMISSIONS REDUCTION PERFORMANCE

### Typical GreenTRAP™ VOLT 320 Emissions Reduction Performance



...the emission control authority.

Contact Nett Technologies Inc. today at:

Phone: (905) 672-5453 Toll-Free: 1(800) 361-6388  
or visit us online at [www.nettinc.com](http://www.nettinc.com)