

Selective Catalytic Reduction data logging just got easier!

Nett Technologies Inc.'s **PTLOG™270scr** is a data logger that is designed to log, monitor and provide alerts to the activities of your Nett Technologies' SCR (Selective Catalytic Reduction) emission control system. This rugged, reliable and full featured emission data logger automatically collects, time stamps and displays sensor and warning related messages from your Nett Technologies' SCR emission control system.

Utilizing a Freescale iMX35, 32bit, 532MHz processor, the **PTLOG™270scr** data logger continually monitors your SCR's emission control system in real-time. The **PTLOG™270scr** features a colour 4.3-inch transmissive TFT LCD screen that delivers NO_x reduction information that is easy to read day or night. Best part, our data loggers are flashable and software upgradable to meet future changes in emission regulations.

Call Nett Technologies today and see why the **PTLOG™** series of data loggers is a valuable tool in assisting you to measure and meet today's tough emission regulatory requirements.

PTLOG™ 270scr data logger



scan and learn



Nett Technologies Inc.'s PTLOG™ series of data loggers are designed and manufactured to monitor today's sophisticated emission control devices while operating in some of the most extreme of operating environments. Our rugged, reliable and robustly featured data loggers are built specifically with you and your industry in mind.

NETT
TECHNOLOGIES INC.
...the emission control authority.

PTLOG™270SCR DATA LOGGER PRODUCT OVERVIEW

Technical Specification

Screen size: 4.3 inch TFT color screen for daylight visibility

Resolution: WQVGA 480 x 272 pixels, 16-bit Color

Dimensions: 7.4 x 3.8 x 1.94 in. (186.9 x 96.5 x 49.4 mm)

Protection: IP66 (NEMA 4) front and IP67 (NEMA 6) back

Case material: Polycarbonate back case

Power supply: 6 to 35 VDC, reverse polarity and load-dump protected

Power: 10w full backlight

Temp Range: -40 to +85°C (Operating) / -40 to +85°C (Storage)

User input keys: 8 sealed momentary tactile buttons

Interface: 2x Ports, CAN 2.0B - SAE J1939 standard

Memory: 128MB - 256 MB Flash Memory SD storage (optional)

Protocols: 2 x CAN 2.0B

Connections: 4 Deutsch DT IP69K (NEMA PW12) 6-pin connectors

Vibration: Random vibration, 7.86 G/rms (5-2000 Hz), 3 axis

Shock: +/- 50G in 3 axis

System Functionality

The PTLOG™270SCR performs the following functions:

- Monitor SCR system performance and system failures
- Monitor and display errors and system malfunctions
- Display real time or average NO_x reduction percentages
- Display real time exhaust temperature and estimated engine load
- Data logging of most system information and all error codes
- Capability to monitor all other system information in real time for onsite troubleshooting

Data Logger Capabilities

The PTLOG™270SCR system has the following data logging capabilities:

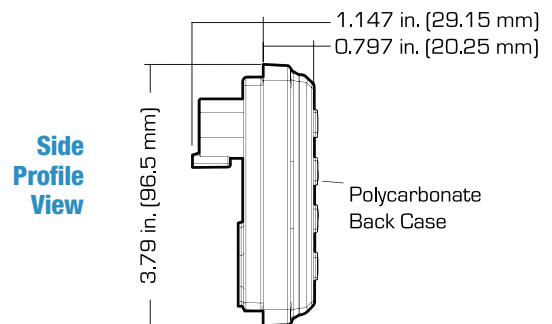
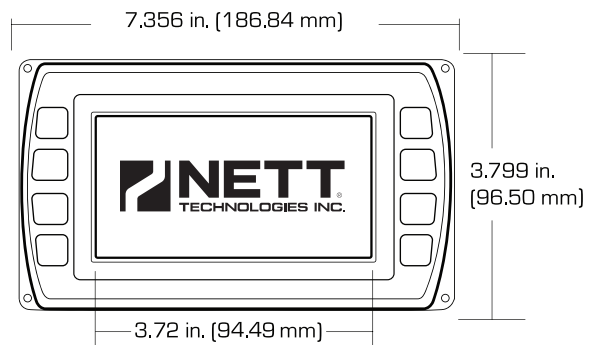
- Sampling Frequency: up to 5Hz (200 ms)
- Minimum hours of logging without overwriting: 1000hrs for 0.2 Hz sampling frequency

The PTLOG™270SCR can log and display the following information:

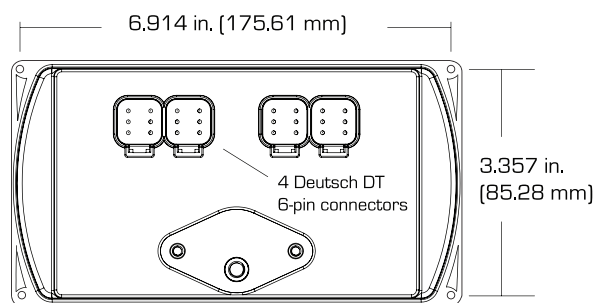
- All error codes
- Exhaust gas temperature (°C)
- Exhaust mass flow rate (kg/hr)
- Upstream and downstream NO_x concentration(ppm)
- SCR NO_x reduction efficiency (%)
- Urea tank level (Empty – Low – Full)
- Urea tank temperature (°C)
- Urea quality (optional)
- Engine backpressure (optional)
- Urea dosing rate (ml/hr)

PTLOG™270SCR PRODUCT DIMENSIONS

Front Profile View



Rear Profile View



...the emission control authority.

Contact Nett Technologies Inc. today at:

Phone: (905) 672-5453 Toll-Free: 1(800) 361-6388

or visit us online at www.nettinc.com