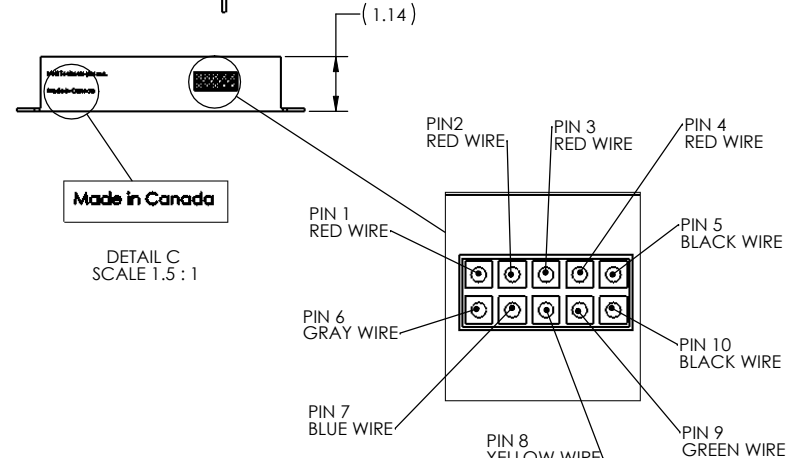
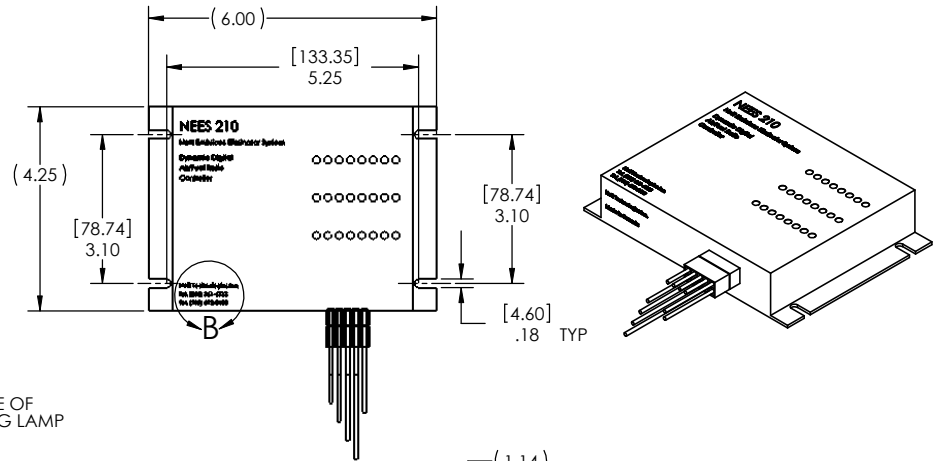


Nett Technologies Inc.
 Tel. (800) 361-6388
 Tel. (905) 672-5453

DETAIL B
 SCALE 2 : 1

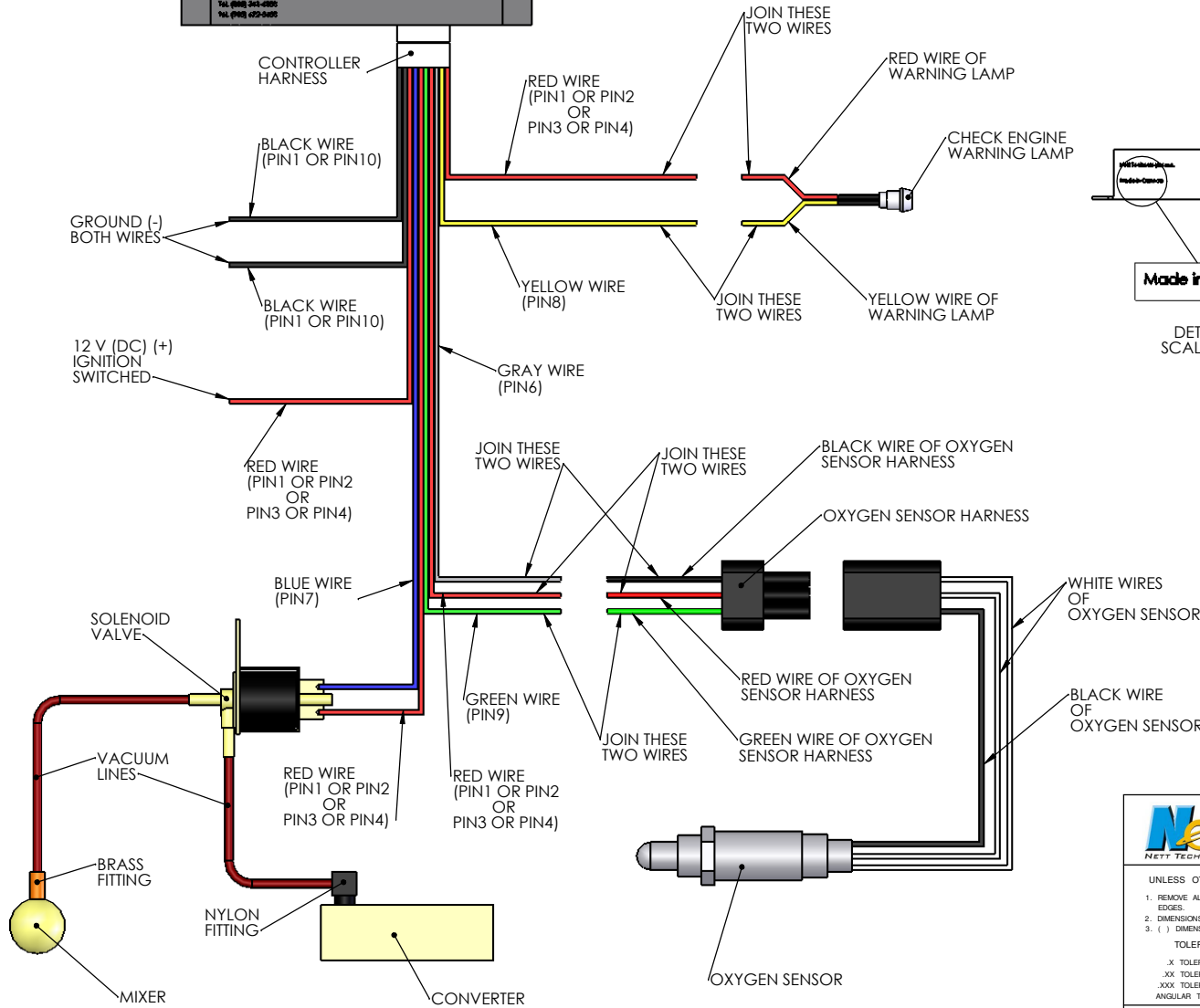
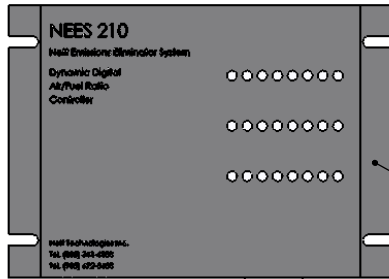


DETAIL C
 SCALE 1.5 : 1

DETAIL A
 SCALE 2 : 1

PIN IDENTIFICATION NOTE

PIN 1, PIN 2, PIN 3, AND PIN 4 (RED WIRES) ARE ELECTRICALLY CONNECTED, IT IS POSSIBLE TO INTERCHANGE THEM.



		<p>NETT TECHNOLOGIES INC. ... the emission control authority 2-6707 OOREWAY DRIVE, MISSISSAUGA, ON, L4V 1P7, CANADA. TEL: (905) 672-5453; FAX: (905) 672-5949 WWW.NETT.CA</p>			
		<p>NETT TECHNOLOGIES INC. RESERVES PROPRIETARY RIGHTS TO THIS DRAWING AND THE DATA SHOWN THEREON AND SUBMITS IT IN CONFIDENCE ONLY. SAID DATA AND/OR DRAWING ARE NOT TO BE USED OR REPRODUCED FOR ANY PURPOSE WITHOUT THE EXPRESS WRITTEN CONSENT OF NETT TECHNOLOGIES INC.</p>			
TITLE	ENGINE	WEIGHT (kg)	SCALE		
NEES 210 ELECTRICAL SCHEMATIC	N/A	N/A	1:2		
APPLICATION	CUSTOMER	ORIG. P/ N	SIZE		
N/A	N/A	N/A	C		
INITIALS	DATE	CAD MODEL NO.	PG 1		
DRAWN BY: EL	15AUG2006		of 1		
CHECKED BY: EL	N/A	DWG. NO.	REV.		
APPROVED BY: RP	N/A	NEES 210	A		