

Critical Grade Disc Silencers

NTCR-D 25-30 dBA

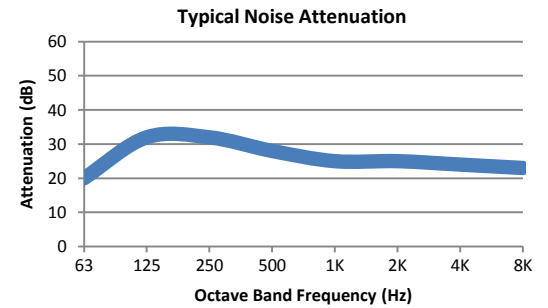
Specification

Nett Technologies Inc., utilizes the latest technologies and methodologies to design and manufacture its stationary engine exhaust silencers and components.

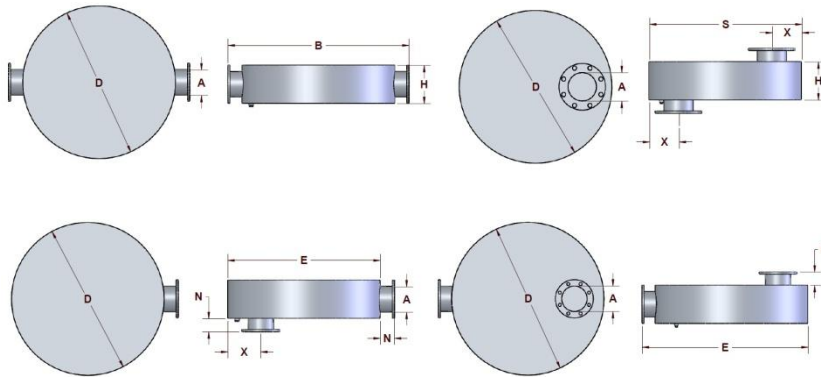
- All welded steel construction
- Quality design and manufacture
- ANSI plate flange connections
- High temperature paint primer

Performance

Nett Technologies' Critical Grade Disc Silencers are designed to achieve maximum performance with the least amount of backpressure. The silencers are Reactive Silencers and are typically used for reciprocating or positive displacement engines in an enclosure where noise level regulations are medium.



Typical Configurations



Silencer Selection

Please contact Nett Technologies' sales staff for:

- Silencer application options
- Exhaust calculations
- Engine accessories
- Mounting support options
- Flush mount/brackets/lifting lugs
- Stainless steel material options
- Custom requests

Dimensions

Model	A		B		D		E		S		H		X (min)		X (max)		N		Weight	
	in	mm	in	mm	in	mm	in	mm	in	mm	in	mm	in	mm	in	mm	in	mm	Lbs.	Kg
NTCR-D6	6	152	48	1219	40	1016	44	1118	40	1016	16	406	10	254	17	432	4	102	184	84
NTCR-D8	8	203	58	1473	50	1270	54	1372	50	1270	18	457	10	254	21	533	4	102	275	125
NTCR-D10	10	254	70	1778	62	1575	66	1676	62	1575	20	508	11	279	26	660	4	102	405	184
NTCR-D12	12	305	80	2032	72	1829	76	1930	72	1829	24	610	12	305	30	762	4	102	622	283
NTCR-D14	14	356	94	2388	84	2134	89	2261	84	2134	26	660	15	381	36	914	5	127	1188	540
NTCR-D16	16	406	106	2692	96	2438	101	2565	96	2438	28	711	17	432	41	1041	5	127	1518	690

Nett Technologies is committed to continuous product development and reserves the right to change specifications without notice.



2 - 6707 Goreway Drive
Mississauga, ON L4V 1P7
Canada

905-672-5453 x127
905-672-5949 fax
www.nett.ca