

Hospital Plus Grade Disc Silencers

NTHP-D 40-50 dBA

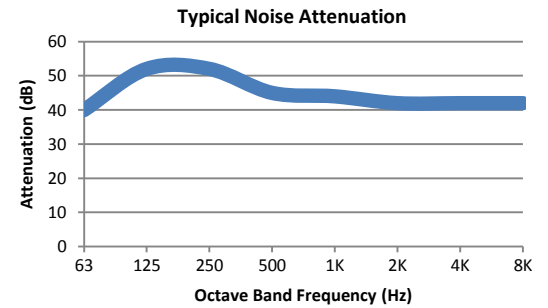
Specification

Nett Technologies Inc., utilizes the latest technologies and methodologies to design and manufacture its stationary engine exhaust silencers and components.

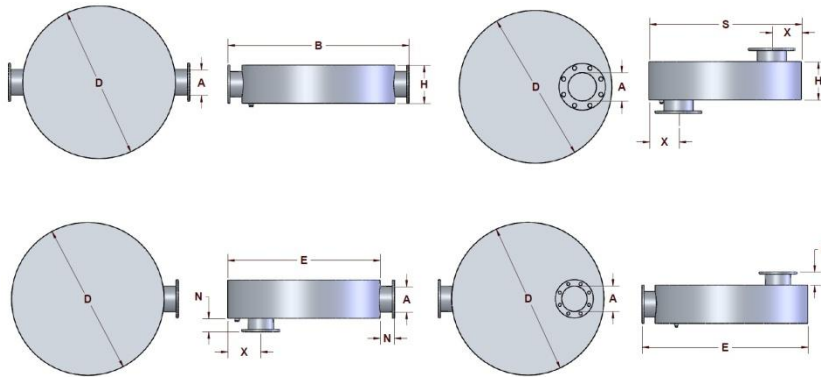
- All welded steel construction
- Quality design and manufacture
- ANSI plate flange connections
- High temperature paint primer

Performance

Nett Technologies' Hospital Plus Grade Disc Silencers are designed to achieve maximum performance with the least amount of backpressure. The silencers are Reactive Silencers and are typically used for reciprocating or positive displacement engines in an enclosure where noise level regulations are critically-high.



Typical Configurations



Silencer Selection

Please contact Nett Technologies' sales staff for:

- Silencer application options
- Exhaust calculations
- Engine accessories
- Mounting support options
- Flush mount/brackets/lifting lugs
- Stainless steel material options
- Custom requests

Dimensions

Model	A		B		D		E		S		H		X (min)		X (max)		N		Weight	
	in	mm	in	mm	in	mm	in	mm	in	mm	in	mm	in	mm	in	mm	in	mm	Lbs.	Kg
NTHP-D6	6	152	58	1473	50	1270	54	1372	50	1270	20	508	9	229	9	229	4	102	307	140
NTHP-D8	8	203	68	1727	60	1524	64	1626	60	1524	22	559	10	254	10	254	4	102	426	194
NTHP-D10	10	254	82	2083	74	1880	78	1981	74	1880	26	660	11	279	11	279	4	102	637	289
NTHP-D12	12	305	92	2337	84	2134	88	2235	84	2134	30	762	12	305	12	305	4	102	929	422
NTHP-D14	14	356	106	2692	96	2438	101	2565	96	2438	36	914	15	381	15	381	5	127	1789	813
NTHP-D16	16	406	120	3048	110	2794	115	2921	110	2794	40	1016	17	432	17	432	5	127	2319	1054

Nett Technologies is committed to continuous product development and reserves the right to change specifications without notice.



2 - 6707 Goreway Drive
Mississauga, ON L4V 1P7
Canada

905-672-5453 x127
905-672-5949 fax
www.nett.ca