

Industrial Grade Disc Silencers

NTIN-D 15-20 dBA

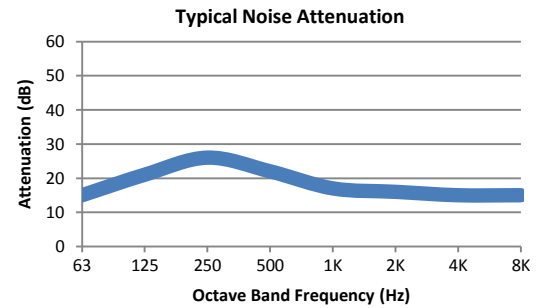
Specification

Nett Technologies Inc., utilizes the latest technologies and methodologies to design and manufacture its stationary engine exhaust silencers and components.

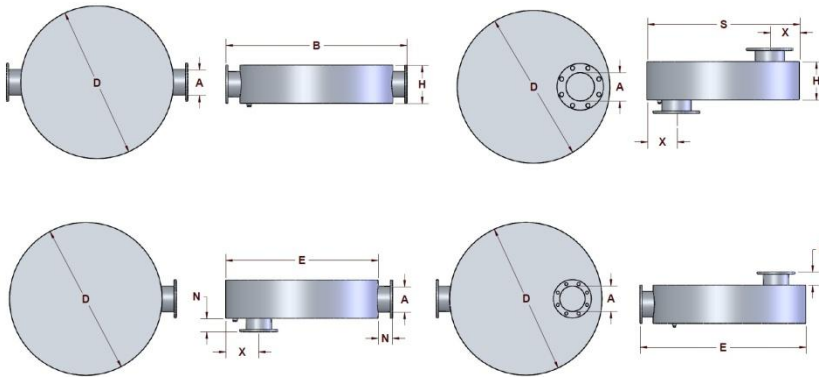
- All welded steel construction
- Quality design and manufacture
- ANSI plate flange connections
- High temperature paint primer

Performance

Nett Technologies' Industrial Grade Disc Silencers are designed to achieve maximum performance with the least amount of backpressure. The silencers are Reactive Silencers and are typically used for reciprocating or positive displacement engines in an enclosure where noise level regulations are low.



Typical Configurations



Silencer Selection

Please contact Nett Technologies' sales staff for:

- Silencer application options
- Exhaust calculations
- Engine accessories
- Mounting support options
- Flush mount/brackets/lifting lugs
- Stainless steel material options
- Custom requests

Dimensions

Model	A		B		D		E		S		H		X (min)		X (max)		N		Weight	
	in	mm	in	mm	in	mm	in	mm	in	mm	in	mm	in	mm	in	mm	in	mm	Lbs.	Kg
NTIN-D6	6	152	30	762	22	559	26	660	22	559	10	254	8	203	8	203	4	102	59	27
NTIN-D8	8	203	36	914	28	711	32	813	28	711	14	356	10	254	10	254	4	102	100	46
NTIN-D10	10	254	38	965	30	762	34	864	30	762	16	406	10	254	10	254	4	102	119	54
NTIN-D12	12	305	44	1118	36	914	40	1016	36	914	20	508	12	305	12	305	4	102	197	90
NTIN-D14	14	356	58	1473	48	1219	53	1346	48	1219	26	660	15	381	18	457	5	127	499	227
NTIN-D16	16	406	70	1778	60	1524	65	1651	60	1524	30	762	17	432	23	584	5	127	749	340

Nett Technologies is committed to continuous product development and reserves the right to change specifications without notice.



2 - 6707 Goreway Drive
Mississauga, ON L4V 1P7
Canada

905-672-5453 x127
905-672-5949 fax
www.nett.ca