

Residential Grade Disc Silencers

NTRS-D 20-25 dBA

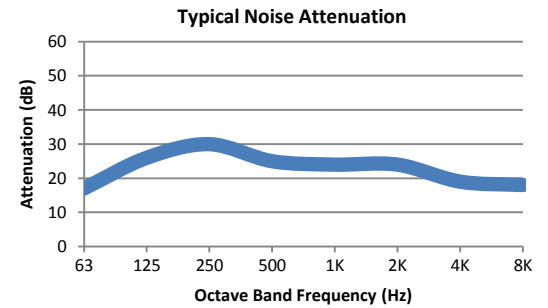
Specification

Nett Technologies Inc., utilizes the latest technologies and methodologies to design and manufacture its stationary engine exhaust silencers and components.

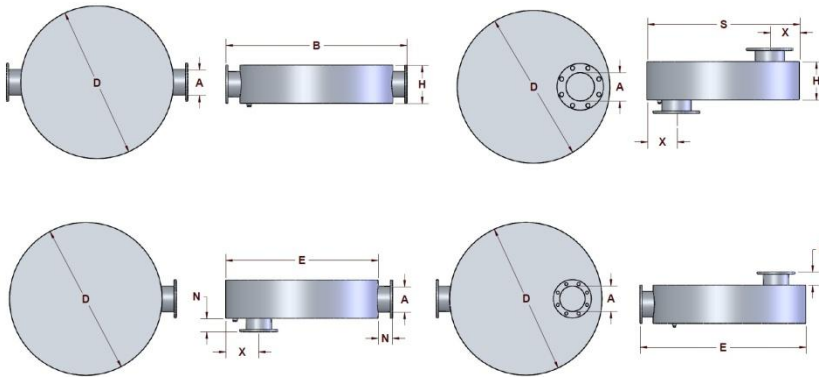
- All welded steel construction
- Quality design and manufacture
- ANSI plate flange connections
- High temperature paint primer

Performance

Nett Technologies' Residential Grade Disc Silencers are designed to achieve maximum performance with the least amount of backpressure. The silencers are Reactive Silencers and are typically used for reciprocating or positive displacement engines in an enclosure where noise level regulations are medium-low.



Typical Configurations



Silencer Selection

Please contact Nett Technologies' sales staff for:

- Silencer application options
- Exhaust calculations
- Engine accessories
- Mounting support options
- Flush mount/brackets/lifting lugs
- Stainless steel material options
- Custom requests

Dimensions

Model	A		B		D		E		S		H		X (min)		X (max)		N		Weight	
	in	mm	in	mm	in	mm	in	mm	in	mm	in	mm	in	mm	in	mm	in	mm	Lbs.	Kg
NTRS-D6	6	152	40	1016	32	813	36	914	32	813	14	356	10	254	13	330	4	102	123	56
NTRS-D8	8	203	46	1168	38	965	42	1067	38	965	16	406	10	254	15	381	4	102	170	77
NTRS-D10	10	254	54	1372	46	1168	50	1270	46	1168	18	457	11	279	18	457	4	102	242	110
NTRS-D12	12	305	60	1524	52	1321	56	1422	52	1321	22	559	12	305	20	508	4	102	359	163
NTRS-D14	14	356	74	1880	64	1626	69	1753	64	1626	24	610	15	381	26	660	5	127	746	339
NTRS-D16	16	406	82	2083	72	1829	77	1956	72	1829	28	711	17	432	29	737	5	127	959	436

Nett Technologies is committed to continuous product development and reserves the right to change specifications without notice.



2 – 6707 Goreway Drive
Mississauga, ON L4V 1P7
Canada

905-672-5453 x127
905-672-5949 fax
www.nett.ca