

# Super Critical Grade Disc Silencers

## NTSC-D 30-35 dBA

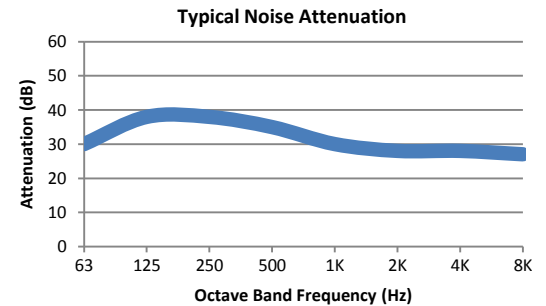
### Specification

Nett Technologies Inc., utilizes the latest technologies and methodologies to design and manufacture its stationary engine exhaust silencers and components.

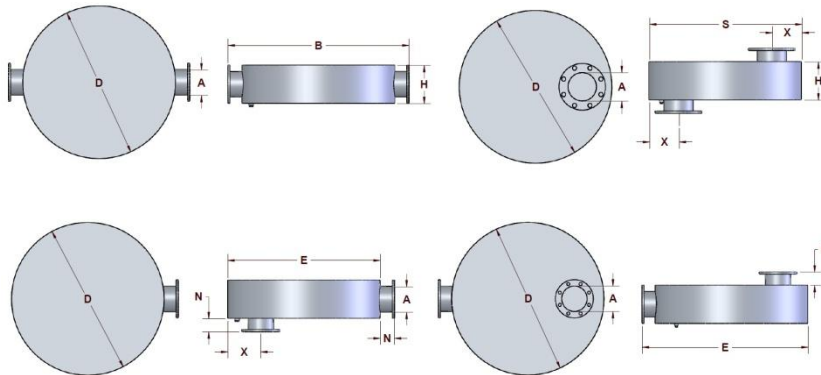
- All welded steel construction
- Quality design and manufacture
- ANSI plate flange connections
- High temperature paint primer

### Performance

Nett Technologies' Super Critical Grade Disc Silencers are designed to achieve maximum performance with the least amount of backpressure. The silencers are Reactive Silencers and are typically used for reciprocating or positive displacement engines in an enclosure where noise level regulations are medium-high.



### Typical Configurations



### Silencer Selection

Please contact Nett Technologies' sales staff for:

- Silencer application options
- Exhaust calculations
- Engine accessories
- Mounting support options
- Flush mount/brackets/lifting lugs
- Stainless steel material options
- Custom requests

### Dimensions

Model	A		B		D		E		S		H		X (min)		X (max)		N		Weight	
	in	mm	in	mm	in	mm	in	mm	in	mm	in	mm	in	mm	in	mm	in	mm	Lbs.	Kg
NTSC-D6	6	152	56	1422	48	1219	52	1321	48	1219	18	457	10	254	21	533	4	102	258	117
NTSC-D8	8	203	64	1626	56	1422	60	1524	56	1422	22	559	10	254	24	610	4	102	359	163
NTSC-D10	10	254	80	2032	72	1829	76	1930	72	1829	24	610	11	279	31	787	4	102	553	251
NTSC-D12	12	305	88	2235	80	2032	84	2134	80	2032	28	711	12	305	34	864	4	102	783	356
NTSC-D14	14	356	106	2692	96	2438	101	2565	96	2438	32	813	15	381	42	1067	5	127	1598	726
NTSC-D16	16	406	115	2921	105	2667	110	2794	105	2667	36	914	17	432	46	1156	5	127	1933	879

Nett Technologies is committed to continuous product development and reserves the right to change specifications without notice.



2 – 6707 Goreway Drive  
Mississauga, ON L4V 1P7  
Canada

905-672-5453 x127  
905-672-5949 fax  
www.nett.ca