

Critical Grade Rectangular Silencers

NTCR-R 25-35 dBA

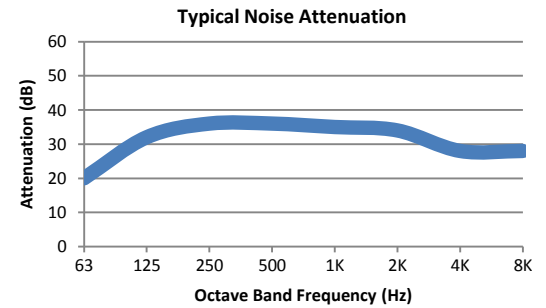
Specification

Nett Technologies Inc., utilizes the latest technologies and methodologies to design and manufacture its stationary engine exhaust silencers and components.

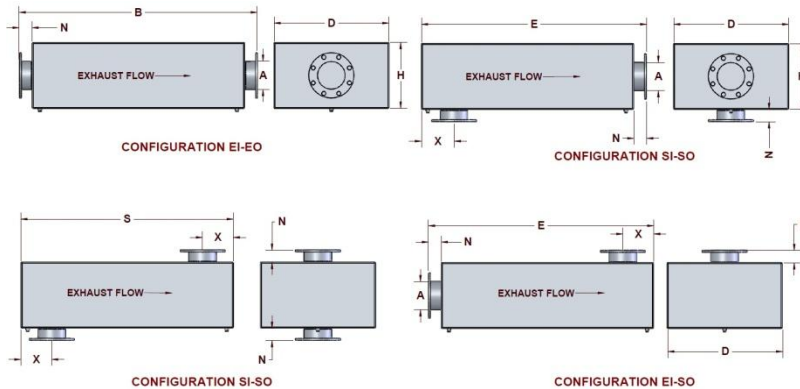
- All welded steel construction
- Quality design and manufacture
- ANSI plate flange connections
- High temperature paint primer

Performance

Nett Technologies' Critical Grade Rectangular Silencers are designed to achieve maximum performance with the least amount of backpressure. The silencers are Reactive-Absorptive Silencers and are typically used for reciprocating or positive displacement engines where substantial noise reduction in the middle to mid-high octave band frequency range is required but with limited space.



Typical Configurations



Silencer Selection

Please contact Nett Technologies' sales staff for:

- Silencer application options
- Exhaust calculations
- Engine accessories
- Mounting support options
- Flush mount/brackets/lifting lugs
- Stainless steel material options
- Custom requests

Dimensions

Model	A		B		D		E		S		H		X (min)		X (max)		N		Weight	
	in	mm	in	mm	in	mm	in	mm	in	mm	in	mm	in	mm	in	mm	in	mm	Lbs.	Kg
NTCR-R6	6	152	44	1118	25	635	40	1016	36	914	12	305	9	229	18	457	4	102	151	69
NTCR-R8	8	203	46	1168	27	686	42	1067	38	965	16	406	10	254	19	483	4	102	194	88
NTCR-R10	10	254	53	1346	32	813	49	1245	45	1143	20	508	11	279	22.5	572	4	102	280	127
NTCR-R12	12	305	60	1524	36	914	56	1422	52	1321	23	584	12	305	26	660	4	102	412	187
NTCR-R14	14	356	70	1778	42	1067	65	1651	60	1524	28	711	15	381	30	762	5	127	823	374
NTCR-R16	16	406	78	1981	48	1219	73	1854	68	1727	32	813	17	432	34	864	5	127	1068	485

Nett Technologies is committed to continuous product development and reserves the right to change specifications without notice.



2 – 6707 Goreway Drive
Mississauga, ON L4V 1P7
Canada

905-672-5453 x127
905-672-5949 fax
www.nett.ca

Technical data and information regarding the products described in this brochure is believed to be reliable. However, no representation or warranty is made with respect thereto except as made by Nett Technologies Inc in writing at the time of sales.

2012/Br/si-01