

# Hospital Plus Grade Rectangular Silencers

## NTHP-R 40-55 dBA

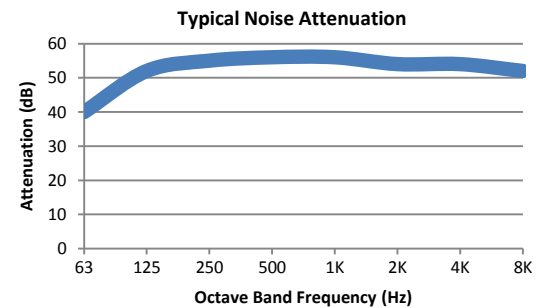
### Specification

Nett Technologies Inc., utilizes the latest technologies and methodologies to design and manufacture its stationary engine exhaust silencers and components.

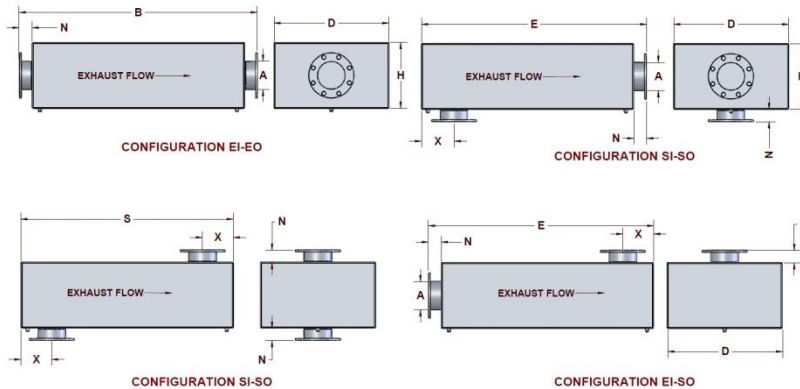
- All welded steel construction
- Quality design and manufacture
- ANSI plate flange connections
- High temperature paint primer

### Performance

Nett Technologies' Hospital Plus Grade Rectangular Silencers are designed to achieve maximum performance with the least amount of backpressure. The silencers are Reactive-Absorptive Silencers and are typically used for reciprocating or positive displacement engines where substantial noise reduction in the middle to mid-high octave band frequency range is required but with limited space.



### Typical Configurations



### Silencer Selection

Please contact Nett Technologies' sales staff for:

- Silencer application options
- Exhaust calculations
- Engine accessories
- Mounting support options
- Flush mount/brackets/lifting lugs
- Stainless steel material options
- Custom requests

### Dimensions

Model	A		B		D		E		S		H		X (min)		X (max)		N		Weight	
	in	mm	in	mm	in	mm	in	mm	in	mm	in	mm	in	mm	in	mm	in	mm	Lbs.	Kg
NTHP-R6	6	152	50	1270	29	737	46	1168	42	1067	14	356	9	229	9	229	4	102	300	136
NTHP-R8	8	203	56	1422	34	864	52	1321	48	1219	18	457	10	254	10	254	4	102	420	191
NTHP-R10	10	254	64	1626	39	991	60	1524	56	1422	22	559	11	279	11	279	4	102	599	272
NTHP-R12	12	305	72	1829	45	1143	68	1727	64	1626	26	660	12	305	12	305	4	102	710	323
NTHP-R14	14	356	80	2032	49	1245	75	1905	70	1778	30	762	15	381	15	381	5	127	1295	589
NTHP-R16	16	406	92	2337	57	1448	87	2210	82	2083	36	914	17	432	17	432	5	127	1725	784

Nett Technologies is committed to continuous product development and reserves the right to change specifications without notice.



2 - 6707 Goreway Drive  
Mississauga, ON L4V 1P7  
Canada

905-672-5453 x127  
905-672-5949 fax  
www.nett.ca