

Residential Grade Rectangular Silencers

NTRS-R 20-30 dBA

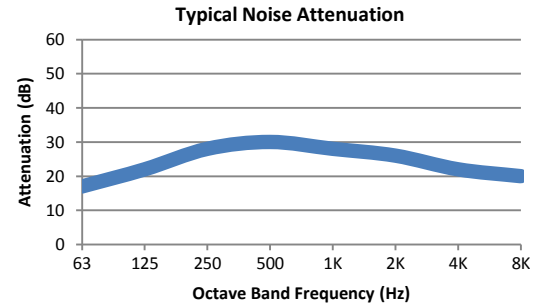
Specification

Nett Technologies Inc., utilizes the latest technologies and methodologies to design and manufacture its stationary engine exhaust silencers and components.

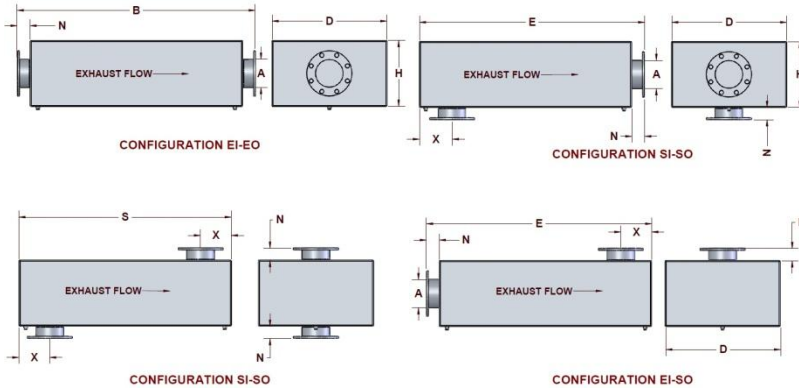
- All welded steel construction
- Quality design and manufacture
- ANSI plate flange connections
- High temperature paint primer

Performance

Nett Technologies' Residential Grade Rectangular Silencers are designed to achieve maximum performance with the least amount of backpressure. The silencers are Reactive-Absorptive Silencers and are typically used for reciprocating or positive displacement engines where substantial noise reduction in the middle to mid-high octave band frequency range is required but with limited space.



Typical Configurations



Silencer Selection

Please contact Nett Technologies' sales staff for:

- Silencer application options
- Exhaust calculations
- Engine accessories
- Mounting support options
- Flush mount/brackets/lifting lugs
- Stainless steel material options
- Custom requests

Dimensions

Model	A		B		D		E		S		H		X (min)		X (max)		N		Weight	
	in	mm	in	mm	in	mm	in	mm	in	mm	in	mm	in	mm	in	mm	in	mm	Lbs.	Kg
NTRS-R6	6	152	40	1016	22	559	36	914	32	813	10	254	9	229	16	406	4	102	115	52
NTRS-R8	8	203	43	1092	25	635	39	991	35	889	13	330	10	254	17.5	445	4	102	154	70
NTRS-R10	10	254	48	1219	28	711	44	1118	40	1016	16	406	11	279	20	508	4	102	207	94
NTRS-R12	12	305	52	1321	31	787	48	1219	44	1118	18	457	12	305	22	559	4	102	286	130
NTRS-R14	14	356	58	1473	34	864	53	1346	48	1219	22	559	15	381	24	610	5	127	526	239
NTRS-R16	16	406	62	1575	36	914	57	1448	52	1321	25	635	17	432	26	660	5	127	624	284

Nett Technologies is committed to continuous product development and reserves the right to change specifications without notice.



2 – 6707 Goreway Drive
Mississauga, ON L4V 1P7
Canada

905-672-5453 x127
905-672-5949 fax
www.nett.ca

Technical data and information regarding the products described in this brochure is believed to be reliable. However, no representation or warranty is made with respect thereto except as made by Nett Technologies Inc in writing at the time of sales.

2012/Br/si-01