

# Super Critical Grade Rectangular Silencers

## NTSC-R 30-40 dBA

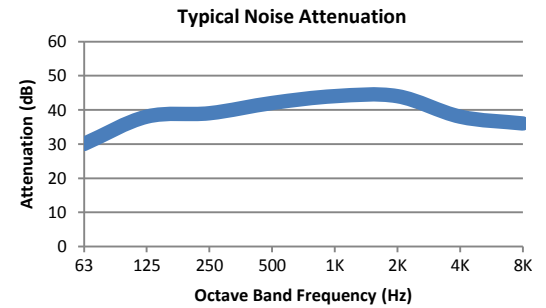
### Specification

Nett Technologies Inc., utilizes the latest technologies and methodologies to design and manufacture its stationary engine exhaust silencers and components.

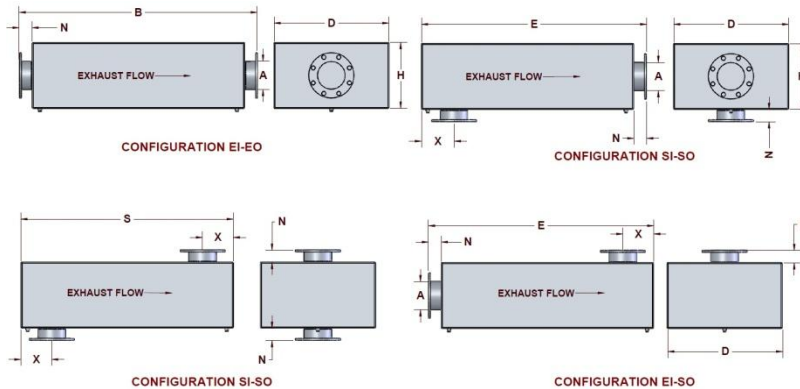
- All welded steel construction
- Quality design and manufacture
- ANSI plate flange connections
- High temperature paint primer

### Performance

Nett Technologies' Super Critical Grade Rectangular Silencers are designed to achieve maximum performance with the least amount of backpressure. The silencers are Reactive-Absorptive Silencers and are typically used for reciprocating or positive displacement engines where substantial noise reduction in the middle to mid-high octave band frequency range is required but with limited space.



### Typical Configurations



### Silencer Selection

Please contact Nett Technologies' sales staff for:

- Silencer application options
- Exhaust calculations
- Engine accessories
- Mounting support options
- Flush mount/brackets/lifting lugs
- Stainless steel material options
- Custom requests

### Dimensions

Model	A		B		D		E		S		H		X (min)		X (max)		N		Weight	
	in	mm	in	mm	in	mm	in	mm	in	mm	in	mm	in	mm	in	mm	in	mm	Lbs.	Kg
NTSC-R6	6	152	72	1829	38	965	68	1727	64	1626	14	356	9	229	25	635	4	102	151	69
NTSC-R8	8	203	80	2032	48	1219	76	1930	72	1829	16	406	10	254	28	711	4	102	194	88
NTSC-R10	10	254	92	2337	56	1422	88	2235	84	2134	20	508	11	279	33	838	4	102	280	127
NTSC-R12	12	305	104	2642	64	1626	100	2540	96	2438	24	610	12	305	38	965	4	102	412	187
NTSC-R14	14	356	122	3099	74	1880	117	2972	112	2845	26	660	15	381	45	1143	5	127	823	374
NTSC-R16	16	406	140	3556	80	2032	135	3429	130	3302	30	762	17	432	53	1346	5	127	1068	485

Nett Technologies is committed to continuous product development and reserves the right to change specifications without notice.



2 - 6707 Goreway Drive  
Mississauga, ON L4V 1P7  
Canada

905-672-5453 x127  
905-672-5949 fax  
www.nett.ca