

# DPF temperature and back pressure data logging just got easier!

Nett Technologies Inc.'s **PTLOG™ 270DPF** is a data logger that is designed to log, monitor and provide alerts to the activities of your DPF (Diesel Particulate Filter). This rugged, reliable and full featured emission data logger automatically collects, time stamps and displays sensor and warning related messages from your DPF emission control system.

Utilizing a Freescale iMX35, 32bit, 532MHz processor, the **PTLOG™ 270DPF** data logger continuously monitors your DPF in real-time. The **PTLOG™ 270DPF** features a colour 4.3-inch transmissive TFT LCD screen that delivers pressure and temperature information that is easy to read day or night. Best part, the **PTLOG™ 270DPF** data loggers are flashable and software upgradable to meet future changes in emission regulations.

Call Nett Technologies today and see why the **PTLOG™** series of data loggers is a valuable tool in assisting you to measure and meet today's tough emission regulatory requirements.

## PTLOG™ 270dpf data logger



scan and learn



Setting new standards, the Nett Technologies Inc.'s PTLOG™ series of data loggers are designed and manufactured to monitor today's sophisticated emission control devices. Designed and built to operate in the most extreme work environment these rugged, reliable and robustly featured data loggers are the new industry standard.

**NETT**  
TECHNOLOGIES INC.  
...the emission control authority.

## Technical Specification

**Screen size:** 4.3 inch TFT color screen for daylight visibility

**Resolution:** WQVGA 480 x 272 pixels, 16-bit Color

**Dimensions:** 7.4 x 3.8 x 1.94 in. (186.9 x 96.5 x 49.4 mm)

**Protection:** IP66 (NEMA 4) front and IP67 (NEMA 6) back

**Case material:** Polycarbonate back case

**Power supply:** 6 to 35 VDC, reverse polarity and load-dump protected

**Power:** 10w full backlight

**Temp Range:** -40 to +85°C (Operating) / -40 to +85°C (Storage)

**User input keys:** 8 sealed momentary tactile buttons

**Interface:** 2x Ports, CAN 2.0B - SAE J1939 standard

**Memory:** 128MB - 256 MB Flash Memory SD storage (optional)

**Protocols:** 2 x CAN 2.0B

**Connections:** 4 Deutsch DT IP69K (NEMA PW12) 6-pin connectors

**Vibration:** Random vibration, 7.86 G/rms (5-2000 Hz), 3 axis

**Shock:** +/- 50G in 3 axis

## System Functionality

The PTLOG™270DPF performs the following functions:

- Monitor DPF loading and DPF cleaning alert
- Monitor and display errors and system malfunctions
- Display real time or average exhaust back pressure
- Display real time exhaust temperature
- Data logging of most system information and all error codes
- Capability to monitor all other system information in real time for onsite troubleshooting

## Data Logger Capabilities

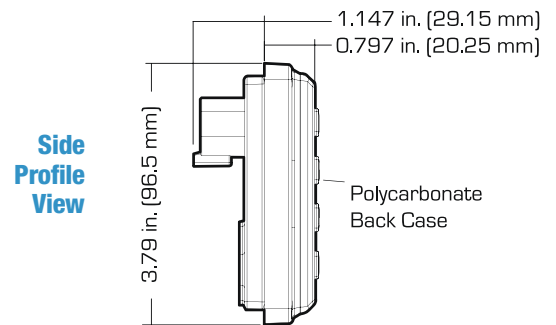
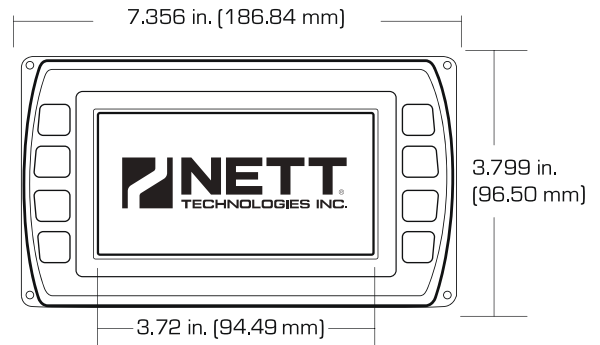
The PTLOG™270DPF system has the following data logging capabilities:

- Sampling Frequency: up to 5Hz (200 ms)
- Recording 15 parameters @ .2 Hz provides over 1000 hours of continuous data logging capacity before overwriting

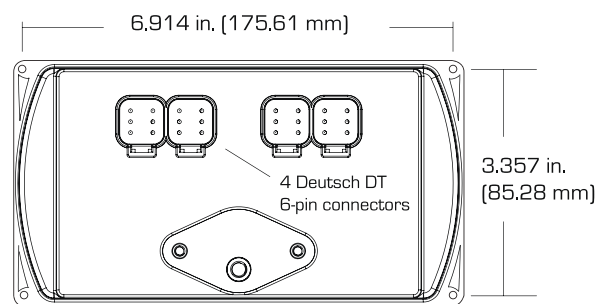
The PTLOG™270DPF can log and display the following information:

- All error codes
- Exhaust gas temperature (°C)
- DPF loading
- Exhaust back pressure
- System cleaning and service messages.

## Front Profile View



## Rear Profile View



...the emission control authority.

Contact Nett Technologies Inc. today at:

Phone: (905) 672-5453 Toll-Free: 1(800) 361-6388

or visit us online at [www.nettinc.com](http://www.nettinc.com)