

# Critical Grade Silencers

## Disc Shape with 1" Insulation (27-32 dBA). Model NTCR1-D

Nett Technologies' Critical Grade Silencers are designed to achieve maximum performance with the least amount of backpressure. These reactive/absorptive silencers are typically used for reciprocating or positive displacement engines where noise level regulations are medium.

### FEATURES & BENEFITS

- Over 25 years of excellence in manufacturing noise and emission control solutions
- Compact modular designs providing ease of installations, less weight and less foot-print
- Responsive lead time for both standard and custom designs to meet your needs
- Customized engineered system solutions to meet challenging integration and engine requirements

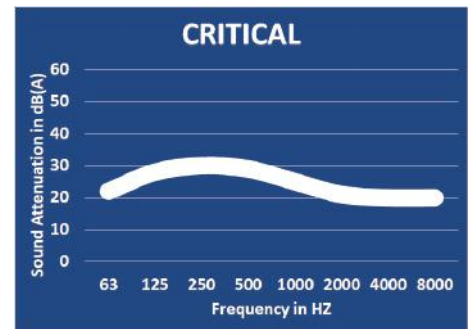
### OPTIONS

- Versatile connections including ANSI pattern flanges, NPT, slip-on, engine flange, schedule 40 and others
- Aluminized Steel, Stainless Steel 304 or 316 construction
- Two inlet configuration is available upon request

### ACCESSORIES

- Hardware Kits
- Flexible connectors and expansion joints
- Elbows
- Thimbles
- Raincaps
- Thermal insulation: integrated or with thermal insulation blankets

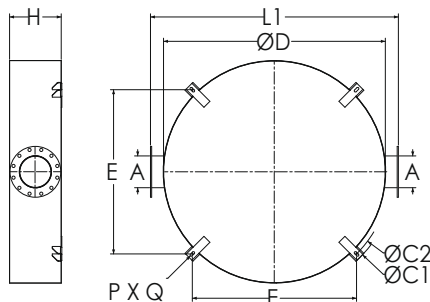
### TYPICAL ATTENUATION CURVE



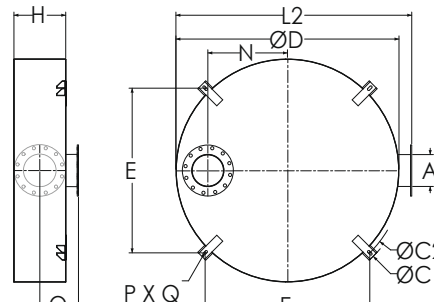
Please see our accessories catalog for a complete listing.

Contact Nett Technologies with your projects design requirements and specifications for optimized noise control solutions.

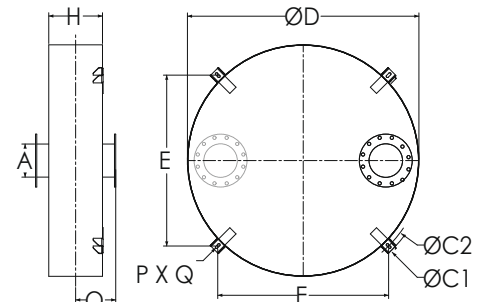
### TYPICAL CONFIGURATIONS



END IN END OUT (EI-EO)



BOTTOM IN END OUT (BI-EO)



BOTTOM IN TOP OUT (BI-TO)

### PRODUCT DIMENSIONS (in)

Model*	A	D	H	L1	L2	O	N	E	C1	C2	P	Q
	Outlet	Dia	Height	EI-EO	BI-EO		Max				Slot Dia	Slot L
NTCR1-D4	4	24	7	32	28	7.5	6.5	18.5	31	26.25	0.625	1.375
NTCR1-D5	5	26	9	34	30	8.5	7	28.25	44	40	0.625	1.375
NTCR1-D6	6	30	10	38	34	9	8.5	22.75	37	32.25	0.625	1.375
NTCR1-D8	8	34	12	42	38	10	9.25	25.63	41	36.25	0.625	1.375
NTCR1-D10	10	40	14	48	44	11	11	30.38	48	43	0.75	1.75
NTCR1-D12	12	42	17	50	46	12.5	10.5	31.88	50	45	0.75	1.75
NTCR1-D14	14	44	20	52	48	14	10.5	33.25	52	47	0.75	1.75
NTCR1-D16	16	54	23	62	58	15.5	14.25	40.25	62	57	0.75	1.75
NTCR1-D18	18	60	25	68	64	16.5	16.5	45.25	69	64	1	2
NTCR1-D20	20	66	30	74	70	19	18.25	49.5	75	70	1	2

\* This 1" internally insulated model provides a great reduction in the outer surface temperature. Other models and custom designs are available upon request. Dimensions subject to change without notice. All silencers are equipped with drain ports on inlet side. The silencer is all welded construction and coated with high heat black paint for maximum durability.