

Critical Grade Silencers

Disc Shape (25-30 dBA). Model NTCR-D

Nett Technologies' Critical Grade Silencers are designed to achieve maximum performance with the least amount of backpressure. These reactive silencers are typically used for reciprocating or positive displacement engines where noise level regulations are medium.

FEATURES & BENEFITS

- Over 25 years of excellence in manufacturing noise and emission control solutions
- Compact modular designs providing ease of installations, less weight and less foot-print
- Responsive lead time for both standard and custom designs to meet your needs
- Customized engineered system solutions to meet challenging integration and engine requirements

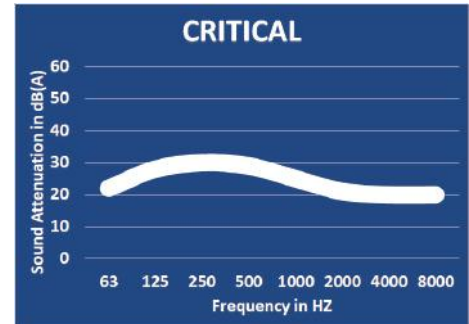
OPTIONS

- Versatile connections including ANSI pattern flanges, NPT, slip-on, engine flange, schedule 40 and others
- Aluminized Steel, Stainless Steel 304 or 316 construction
- Two inlet configuration is available upon request

ACCESSORIES

- Hardware Kits
- Flexible connectors and expansion joints
- Elbows
- Thimbles
- Raincaps
- Thermal insulation: integrated or with thermal insulation blankets

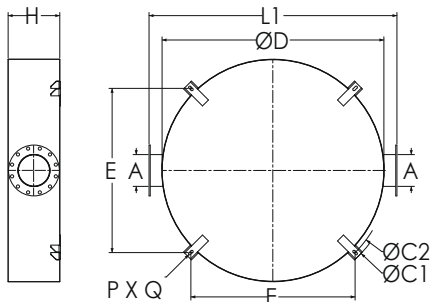
TYPICAL ATTENUATION CURVE



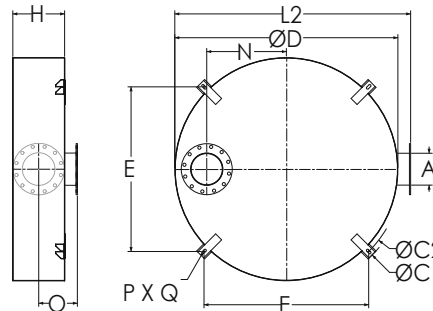
Please see our accessories catalog for a complete listing.

Contact Nett Technologies with your projects design requirements and specifications for optimized noise control solutions.

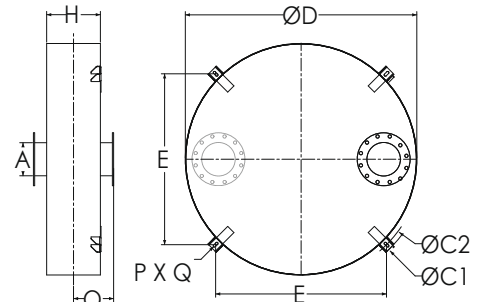
TYPICAL CONFIGURATIONS



END IN END OUT (EI-EO)



BOTTOM IN END OUT (BI-EO)



BOTTOM IN TOP OUT (BI-TO)

PRODUCT DIMENSIONS (in)

Model*	A	D	H	L1	L2	O	N	E	C1	C2	P	Q
	Outlet	Dia	Height	EI-EO	BI-EO		Max				Slot Dia	Slot L
NTCR-D4	4	22	7	30	26	7.5	5.5	17.13	29	24.25	0.625	1.375
NTCR-D5	5	24	8	32	28	8	6	18.5	31	26.25	0.625	1.375
NTCR-D6	6	28	9	36	32	8.5	7.5	21.38	35	30.25	0.625	1.375
NTCR-D8	8	34	11	42	38	9.5	9.25	25.63	41	36.25	0.625	1.375
NTCR-D10	10	38	13	46	42	10.5	10	29	46	41	0.75	1.75
NTCR-D12	12	40	16	48	44	12	9.5	30.38	48	43	0.75	1.75
NTCR-D14	14	44	20	52	48	14	10.5	33.25	52	47	0.75	1.75
NTCR-D16	16	46	20	54	50	14	10.25	34.63	54	49	0.75	1.75
NTCR-D18	18	60	24	68	64	16	16.5	45.25	69	64	1	2
NTCR-D20	20	66	28	74	70	18	18.25	49.5	75	70	1	2

* Other models and custom designs are available upon request. Dimensions subject to change without notice. All silencers are equipped with drain ports on inlet side. The silencer is all welded construction and coated with high heat black paint for maximum durability.