

Built better, priced better!



GENERATOR SILENCERS

FROM THE MANUFACTURER

Table of Content

Cylindrical Silencers		
Model	Description	Page
NTIN-C	Industrial Grade Silencer	1
NTRS-C	Residential Grade Silencer	2
NTRP-C	Residential Plus Grade Silencer	3
NTCR-C	Critical Grade Silencer	4
NTCP-C	Critical Plus Grade Silencer	5
NTSC-C	Super Critical Grade Silencer	6
NTSP-C	Super Critical Plus Grade Silencer	7
NTHO-C	Hospital Grade Silencer	8
NTHP-C	Hospital Plus Grade Silencer	9
NTSH-C	Super Hospital Plus Grade Silencer	10

Disc (Hockey Puck) Silencers		
Model	Description	Page
NTRS-D	Residential Grade Silencer	11
NTRS1-D	Residential Grade Silencer with 1" Insulation	12
NTRS2-D	Residential Grade Silencer with 2" Insulation	13
NTCR-D	Critical Grade Silencer	14
NTCR1-D	Critical Grade Silencer with 1" Insulation	15
NTCR2-D	Critical Grade Silencer with 2" Insulation	16
NTSC-D	Super Critical Grade Silencer	17
NTSC1-D	Super Critical Grade Silencer with 1" Insulation	18
NTSC2-D	Super Critical Grade Silencer with 2" Insulation	19
NTHO1-D	Hospital Grade Silencer with 1" Insulation	20
NTHO2-D	Hospital Grade Silencer with 2" Insulation	21
NTHP2-D	Hospital Plus Grade Silencer with 2" Insulation	22

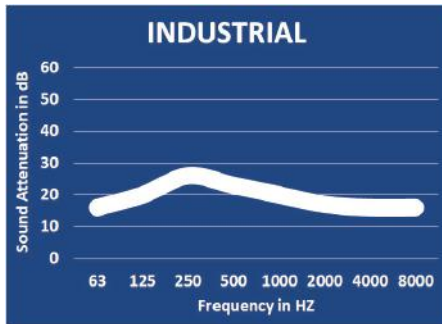
Rectangular Silencers		
Model	Description	Page
NTRS-R	Residential Grade Silencer	23
NTRS1-R	Residential Grade Silencer with 1" Insulation	24
NTRS2-R	Residential Grade Silencer with 2" Insulation	25
NTCR-R	Critical Grade Silencer	26
NTCR1-R	Critical Grade Silencer with 1" Insulation	27
NTCR2-R	Critical Grade Silencer with 2" Insulation	28
NTSC-R	Super Critical Grade Silencer	29
NTSC1-R	Super Critical Grade Silencer with 1" Insulation	30
NTSC2-R	Super Critical Grade Silencer with 2" Insulation	31
NTHO1-R	Hospital Grade Silencer with 1" Insulation	32
NTHO2-R	Hospital Grade Silencer with 2" Insulation	33
NTHP1-R	Hospital Plus Grade Silencer with 1" Insulation	34
NTHP2-R	Hospital Plus Grade Silencer with 2" Insulation	35
NTHE2-R	Hospital Extreme Grade Silencer with 2" Insulation	36

This catalog is in a working progress. If you don't see the required silencer, please contact us. We offer many other silencers including custom designs.

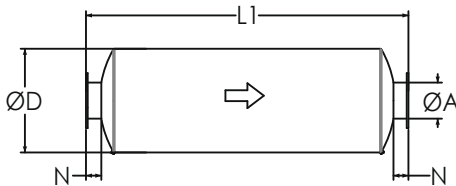
Industrial Grade Silencers

Model NTIN-C (Cylindrical), 15-20 dBA

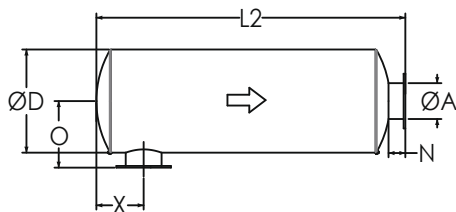
TYPICAL ATTENUATION CURVE



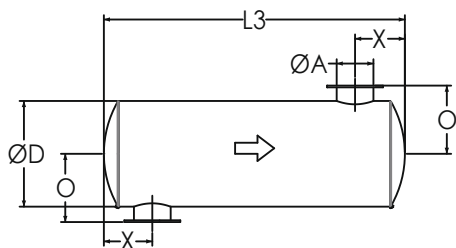
TYPICAL CONFIGURATIONS



END IN END OUT (EI-EO)



SIDE IN END OUT (SI-EO)



SIDE IN SIDE OUT (SI-SO)

Nett Technologies' Industrial Grade Silencers are designed to achieve maximum performance with the least amount of backpressure.

The silencers are Reactive Silencers and are typically used for reciprocating or positive displacement engines where noise level regulations are low.

FEATURES & BENEFITS

- Over 25 years of excellence in manufacturing noise and emission control solutions
- Compact modular designs providing ease of installations, less weight and less foot-print
- Responsive lead time for both standard and custom designs to meet your needs
- Customized engineered systems solutions to meet challenging integration and engine requirements

Contact Nett Technologies with your projects design requirements and specifications for optimized noise control solutions.

OPTIONS

- Versatile connections including ANSI pattern flanges, NPT, slip-on, engine flange, schedule 40 and others
- Aluminized Steel, Stainless Steel 304 or 316 construction
- Horizontal or vertical mounting brackets and lifting lugs

ACCESSORIES

- Hardware Kits
- Flexible connectors and expansion joints
- Elbows
- Thimbles
- Raincaps
- Thermal insulation: integrated or with thermal insulation blankets

Please see our accessories catalog for a complete listing.

PRODUCT DIMENSIONS (in)

Model*	A	D	L1	L2	L3	X**	X	N	O
	Outlet	Dia	EI-EO	SI-EO	SI-SO	Min	Max	Nipple	O
NTIN-C1	1	4	20	18	16	3	7	2	4
NTIN-C1.5	1.5	6	22	20	18	3	8	2	5
NTIN-C2	2	6	22	19	16	3	8	3	6
NTIN-C2.5	2.5	6	24	21	18	4	9	3	6
NTIN-C3	3	8	26	23	20	5	10	3	7
NTIN-C3.5	3.5	9	28	25	22	5	11	3	8
NTIN-C4	4	10	32	29	26	5	12	3	8
NTIN-C5	5	12	36	33	30	6	14	3	9
NTIN-C6	6	14	40	36	32	7	16	4	11
NTIN-C8	8	16	50	46	42	8	21	4	12
NTIN-C10	10	20	52	48	44	11	21	4	14
NTIN-C12	12	24	62	58	54	12	26	4	16
NTIN-C14	14	30	74	69	64	15	31	5	20
NTIN-C16	16	36	82	77	72	18	35	5	23
NTIN-C18	18	40	94	89	84	18	42	5	25
NTIN-C20	20	40	110	105	100	19	52	5	25
NTIN-C22	22	48	118	113	108	22	56	5	29
NTIN-C24	24	48	130	125	120	24	62	5	29

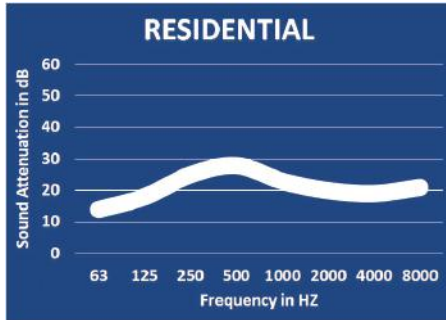
* Other models and custom designs are available upon request. Dimensions subject to change without notice. All silencers are equipped with drain ports on inlet side. The silencer is all welded construction and coated with high heat black paint for maximum durability.

** Standard inlet/outlet position.

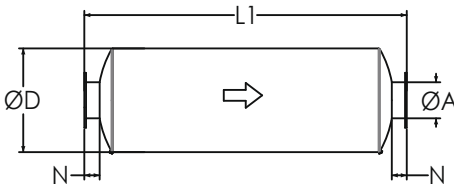
Residential Grade Silencers

Model NTRS-C (Cylindrical), 20-25 dBA

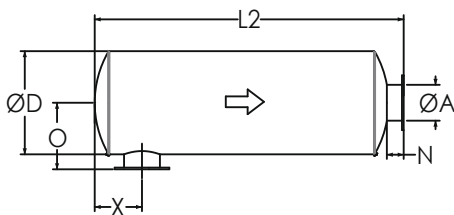
TYPICAL ATTENUATION CURVE



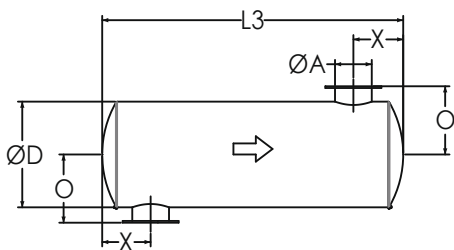
TYPICAL CONFIGURATIONS



END IN END OUT (EI-EO)



SIDE IN END OUT (SI-EO)



SIDE IN SIDE OUT (SI-SO)

Nett Technologies' Residential Grade Silencers are designed to achieve maximum performance with the least amount of backpressure. The silencers are Reactive Silencers and are typically used for reciprocating or positive displacement engines where noise level regulations are medium-low.

FEATURES & BENEFITS

- Over 25 years of excellence in manufacturing noise and emission control solutions
- Compact modular designs providing ease of installations, less weight and less foot-print
- Responsive lead time for both standard and custom designs to meet your needs
- Customized engineered systems solutions to meet challenging integration and engine requirements

Contact Nett Technologies with your projects design requirements and specifications for optimized noise control solutions.

OPTIONS

- Versatile connections including ANSI pattern flanges, NPT, slip-on, engine flange, schedule 40 and others
- Aluminized Steel, Stainless Steel 304 or 316 construction
- Horizontal or vertical mounting brackets and lifting lugs

ACCESSORIES

- Hardware Kits
- Flexible connectors and expansion joints
- Elbows
- Thimbles
- Raincaps
- Thermal insulation: integrated or with thermal insulation blankets

Please see our accessories catalog for a complete listing.

PRODUCT DIMENSIONS (in)

Model*	A	D	L1	L2	L3	X**	X	N	O
	Outlet	Dia	EI-EO	SI-EO	SI-SO	Min	Max	Nipple	O
NTRS-C1	1	4	20	18	16	3	10	2	4
NTRS-C1.5	1.5	6	28	26	24	3	12	2	5
NTRS-C2	2	6	28	25	22	4	12	3	6
NTRS-C2.5	2.5	6	32	29	26	4	14	3	6
NTRS-C3	3	6	34	31	28	5	15	3	6
NTRS-C3.5	3.5	9	36	33	30	5	16	3	8
NTRS-C4	4	10	40	37	34	5	17	3	8
NTRS-C5	5	12	42	39	36	6	18	3	9
NTRS-C6	6	14	44	40	36	7	19	4	11
NTRS-C8	8	16	56	52	48	9	24	4	12
NTRS-C10	10	20	58	54	50	11	24	4	14
NTRS-C12	12	24	70	66	62	13	31	4	16
NTRS-C14	14	30	80	75	70	17	35	5	20
NTRS-C16	16	36	90	85	80	17	40	5	23
NTRS-C18	18	40	102	97	92	18	47	5	25
NTRS-C20	20	42	108	103	98	21	50	5	26
NTRS-C22	22	48	116	111	106	23	54	5	29
NTRS-C24	24	48	130	125	120	26	61	5	29

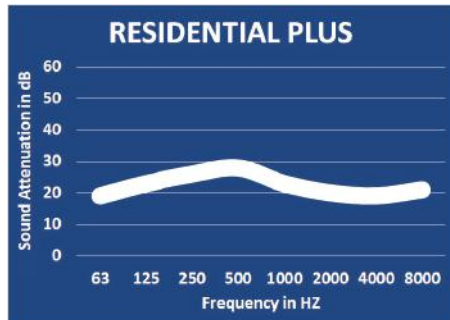
* Other models and custom designs are available upon request. Dimensions subject to change without notice. All silencers are equipped with drain ports on inlet side. The silencer is all welded construction and coated with high heat black paint for maximum durability.

** Standard inlet/outlet position.

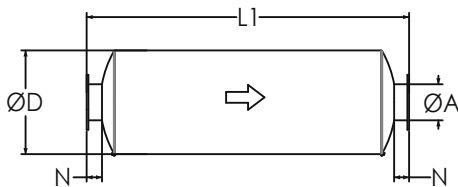
Residential Plus Grade Silencers

Model NTRP-C (Cylindrical), 23-28 dBA

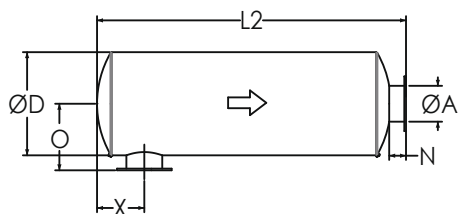
TYPICAL ATTENUATION CURVE



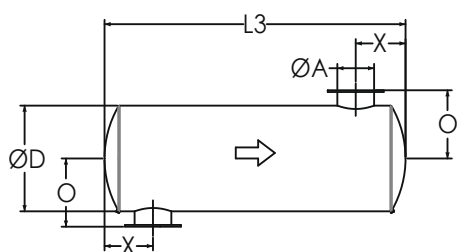
TYPICAL CONFIGURATIONS



END IN END OUT (EI-EO)



SIDE IN END OUT (SI-EO)



SIDE IN SIDE OUT (SI-SO)

Nett Technologies' Residential Plus Grade Silencers are designed to achieve maximum performance with the least amount of backpressure. The silencers are Reactive Silencers and are typically used for reciprocating or positive displacement engines where noise level regulations are moderate.

FEATURES & BENEFITS

- Over 25 years of excellence in manufacturing noise and emission control solutions
- Compact modular designs providing ease of installations, less weight and less foot-print
- Responsive lead time for both standard and custom designs to meet your needs
- Customized engineered systems solutions to meet challenging integration and engine requirements

Contact Nett Technologies with your projects design requirements and specifications for optimized noise control solutions.

OPTIONS

- Versatile connections including ANSI pattern flanges, NPT, slip-on, engine flange, schedule 40 and others
- Aluminized Steel, Stainless Steel 304 or 316 construction
- Horizontal or vertical mounting brackets and lifting lugs

ACCESSORIES

- Hardware Kits
- Flexible connectors and expansion joints
- Elbows
- Thimbles
- Raincaps
- Thermal insulation: integrated or with thermal insulation blankets

Please see our accessories catalog for a complete listing.

PRODUCT DIMENSIONS (in)

Model*	A	D	L1	L2	L3	X**	X	N	O
	Outlet	Dia	EI-EO	SI-EO	SI-SO	Min	Max	Nipple	O
NTRP-C1	1	4	20	18	16	3	10	2	4
NTRP-C1.5	1.5	6	28	26	24	3	12	2	5
NTRP-C2	2	6	28	25	22	4	12	3	6
NTRP-C2.5	2.5	6	32	29	26	4	14	3	6
NTRP-C3	3	6	34	31	28	5	15	3	6
NTRP-C3.5	3.5	9	36	33	30	5	16	3	8
NTRP-C4	4	10	40	37	34	5	17	3	8
NTRP-C5	5	12	42	39	36	6	18	3	9
NTRP-C6	6	14	44	40	36	7	19	4	11
NTRP-C8	8	16	56	52	48	9	24	4	12
NTRP-C10	10	20	58	54	50	11	24	4	14
NTRP-C12	12	24	70	66	62	13	31	4	16
NTRP-C14	14	30	80	75	70	17	35	5	20
NTRP-C16	16	36	90	85	80	17	40	5	23
NTRP-C18	18	40	102	97	92	18	47	5	25
NTRP-C20	20	42	108	103	98	21	50	5	26
NTRP-C22	22	48	116	111	106	23	54	5	29
NTRP-C24	24	48	130	125	120	26	61	5	29

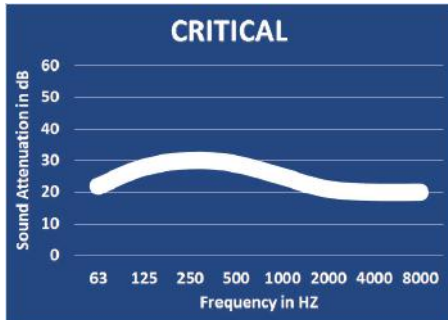
* Other models and custom designs are available upon request. Dimensions subject to change without notice. All silencers are equipped with drain ports on inlet side. The silencer is all welded construction and coated with high heat black paint for maximum durability.

** Standard inlet/outlet position.

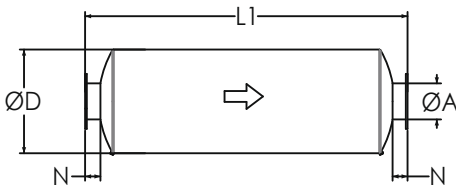
Critical Grade Silencers

Model NTCR-C (Cylindrical), 25-30 dBA

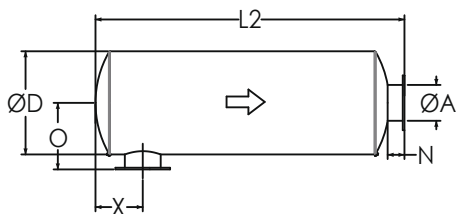
TYPICAL ATTENUATION CURVE



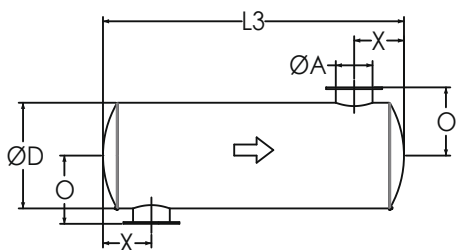
TYPICAL CONFIGURATIONS



END IN END OUT (EI-EO)



SIDE IN END OUT (SI-EO)



SIDE IN SIDE OUT (SI-SO)

Nett Technologies' Critical Grade Silencers are designed to achieve maximum performance with the least amount of backpressure.

The silencers are Reactive Silencers and are typically used for reciprocating or positive displacement engines where noise level regulations are moderate.

FEATURES & BENEFITS

- Over 25 years of excellence in manufacturing noise and emission control solutions
- Compact modular designs providing ease of installations, less weight and less foot-print
- Responsive lead time for both standard and custom designs to meet your needs
- Customized engineered systems solutions to meet challenging integration and engine requirements

Contact Nett Technologies with your projects design requirements and specifications for optimized noise control solutions.

PRODUCT DIMENSIONS (in)

Model*	A	D	L1	L2	L3	X**	X	N	O
	Outlet	Dia	EI-EO	SI-EO	SI-SO	Min	Max	Nipple	O
NTCR-C1	1	4	20	18	16	3	10	2	4
NTCR-C1.5	1.5	6	28	26	24	3	10	2	5
NTCR-C2	2	8	30	27	24	4	13	3	7
NTCR-C2.5	2.5	8	32	29	26	4	15	3	7
NTCR-C3	3	9	36	33	30	5	16	3	8
NTCR-C3.5	3.5	10	42	39	36	5	20	3	8
NTCR-C4	4	12	50	47	44	6	24	3	9
NTCR-C5	5	14	54	51	48	6	26	3	10
NTCR-C6	6	16	62	58	54	7	31	4	12
NTCR-C8	8	20	68	64	60	9	33	4	14
NTCR-C10	10	24	92	88	84	12	47	4	16
NTCR-C12	12	30	98	94	90	14	50	4	19
NTCR-C14	14	36	104	99	94	17	51	5	23
NTCR-C16	16	36	118	113	108	17	59	5	23
NTCR-C18	18	40	126	121	116	18	64	5	25
NTCR-C20	20	42	146	141	136	21	74	5	26
NTCR-C22	22	48	150	145	140	23	79	5	29
NTCR-C24	24	48	162	157	152	26	83	5	29

* Other models and custom designs are available upon request. Dimensions subject to change without notice. All silencers are equipped with drain ports on inlet side. The silencer is all welded construction and coated with high heat black paint for maximum durability.

** Standard inlet/outlet position.

OPTIONS

- Versatile connections including ANSI pattern flanges, NPT, slip-on, engine flange, schedule 40 and others
- Aluminized Steel, Stainless Steel 304 or 316 construction
- Horizontal or vertical mounting brackets and lifting lugs

ACCESSORIES

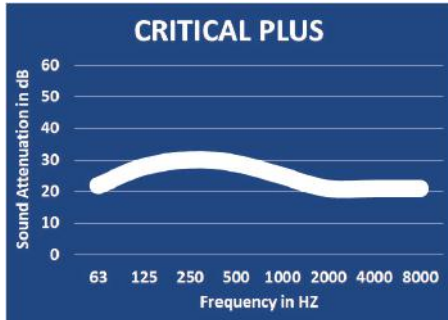
- Hardware Kits
- Flexible connectors and expansion joints
- Elbows
- Thimbles
- Raincaps
- Thermal insulation: integrated or with thermal insulation blankets

Please see our accessories catalog for a complete listing.

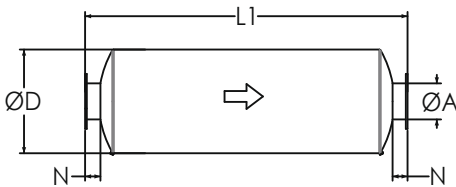
Critical Plus Grade Silencers

Model NTCP-C (Cylindrical), 28-33 dBA

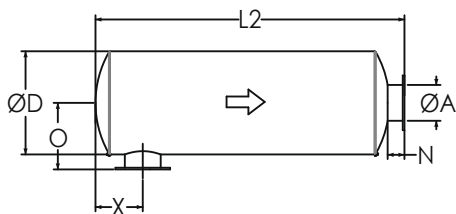
TYPICAL ATTENUATION CURVE



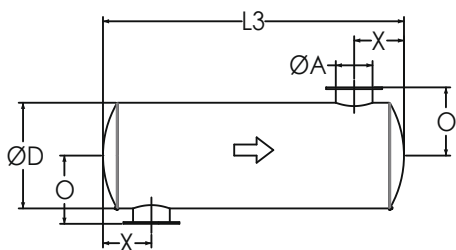
TYPICAL CONFIGURATIONS



END IN END OUT (EI-EO)



SIDE IN END OUT (SI-EO)



SIDE IN SIDE OUT (SI-SO)

Nett Technologies' Critical Plus Grade Silencers are designed to achieve maximum performance with the least amount of backpressure. The silencers are Reactive Silencers and are typically used for reciprocating or positive displacement engines where noise level regulations are moderate.

FEATURES & BENEFITS

- Over 25 years of excellence in manufacturing noise and emission control solutions
- Compact modular designs providing ease of installations, less weight and less foot-print
- Responsive lead time for both standard and custom designs to meet your needs
- Customized engineered systems solutions to meet challenging integration and engine requirements

Contact Nett Technologies with your projects design requirements and specifications for optimized noise control solutions.

OPTIONS

- Versatile connections including ANSI pattern flanges, NPT, slip-on, engine flange, schedule 40 and others
- Aluminized Steel, Stainless Steel 304 or 316 construction
- Horizontal or vertical mounting brackets and lifting lugs

ACCESSORIES

- Hardware Kits
- Flexible connectors and expansion joints
- Elbows
- Thimbles
- Raincaps
- Thermal insulation: integrated or with thermal insulation blankets

Please see our accessories catalog for a complete listing.

PRODUCT DIMENSIONS (in)

Model*	A	D	L1	L2	L3	X**	X	N	O
	Outlet	Dia	EI-EO	SI-EO	SI-SO	Min	Max	Nipple	O
NTCP-C1	1	4	20	18	16	3	10	2	4
NTCP-C1.5	1.5	6	28	26	24	3	10	2	5
NTCP-C2	2	8	32	29	26	4	13	3	7
NTCP-C2.5	2.5	8	32	29	26	5	15	3	7
NTCP-C3	3	9	40	37	34	5	16	3	8
NTCP-C3.5	3.5	10	46	43	40	5	20	3	8
NTCP-C4	4	12	52	49	46	6	24	3	9
NTCP-C5	5	14	58	55	52	6	26	3	10
NTCP-C6	6	16	64	60	56	7	31	4	12
NTCP-C8	8	20	72	68	64	9	33	4	14
NTCP-C10	10	24	80	76	72	12	47	4	16
NTCP-C12	12	30	98	94	90	14	50	4	19
NTCP-C14	14	36	104	99	94	17	51	5	23
NTCP-C16	16	36	118	113	108	17	59	5	23
NTCP-C18	18	40	126	121	116	18	64	5	25
NTCP-C20	20	42	146	141	136	21	74	5	26
NTCP-C22	22	48	150	145	140	23	79	5	29
NTCP-C24	24	48	174	169	164	26	83	5	29

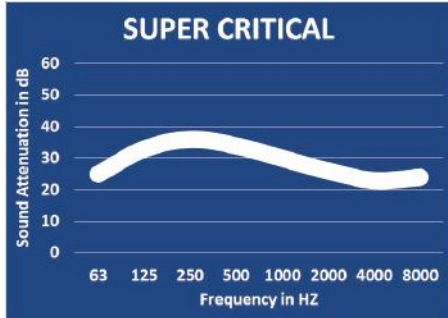
* Other models and custom designs are available upon request. Dimensions subject to change without notice. All silencers are equipped with drain ports on inlet side. The silencer is all welded construction and coated with high heat black paint for maximum durability.

** Standard inlet/outlet position.

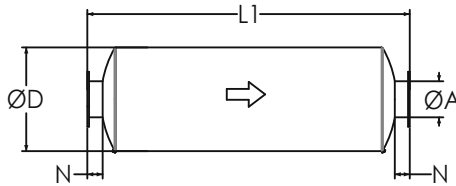
Super Critical Grade Silencers

Model NTSC-C (Cylindrical), 30-35 dBA

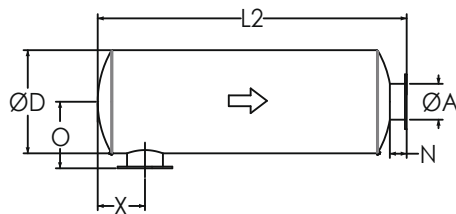
TYPICAL ATTENUATION CURVE



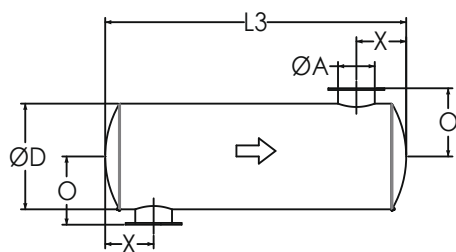
TYPICAL CONFIGURATIONS



END IN END OUT (EI-EO)



SIDE IN END OUT (SI-EO)



SIDE IN SIDE OUT (SI-SO)

Nett Technologies' Super Critical Grade Silencers are designed to achieve maximum performance with the least amount of backpressure. The silencers are Reactive Silencers and are typically used for reciprocating or positive displacement engines where noise level regulations are medium-high.

FEATURES & BENEFITS

- Over 25 years of excellence in manufacturing noise and emission control solutions
- Compact modular designs providing ease of installations, less weight and less foot-print
- Responsive lead time for both standard and custom designs to meet your needs
- Customized engineered systems solutions to meet challenging integration and engine requirements

Contact Nett Technologies with your projects design requirements and specifications for optimized noise control solutions.

PRODUCT DIMENSIONS (in)

Model*	A	D	L1	L2	L3	X**	X	N	O
	Outlet	Dia	EI-EO	SI-EO	SI-SO	Min	Max	Nipple	O
NTSC-C1	1	4	20	18	16	3	14	2	4
NTSC-C1.5	1.5	6	30	28	26	3	17	2	5
NTSC-C2	2	8	34	31	28	4	20	3	7
NTSC-C2.5	2.5	8	38	35	32	5	23	3	7
NTSC-C3	3	10	44	41	38	5	27	3	8
NTSC-C3.5	3.5	12	46	43	40	6	28	3	9
NTSC-C4	4	12	52	49	46	6	31	3	9
NTSC-C5	5	14	58	55	52	7	35	3	10
NTSC-C6	6	16	64	60	56	8	40	4	12
NTSC-C8	8	20	72	68	64	9	45	4	14
NTSC-C10	10	24	80	76	72	12	49	4	16
NTSC-C12	12	30	98	94	90	14	61	4	19
NTSC-C14	14	36	104	99	94	16	63	5	23
NTSC-C16	16	36	118	113	108	17	72	5	23
NTSC-C18	18	40	126	121	116	20	78	5	25
NTSC-C20	20	42	146	141	136	22	92	5	26
NTSC-C22	22	48	150	145	140	25	93	5	29
NTSC-C24	24	48	174	169	164	27	112	5	29

* Other models and custom designs are available upon request. Dimensions subject to change without notice. All silencers are equipped with drain ports on inlet side. The silencer is all welded construction and coated with high heat black paint for maximum durability.

** Standard inlet/outlet position.

OPTIONS

- Versatile connections including ANSI pattern flanges, NPT, slip-on, engine flange, schedule 40 and others
- Aluminized Steel, Stainless Steel 304 or 316 construction
- Horizontal or vertical mounting brackets and lifting lugs

ACCESSORIES

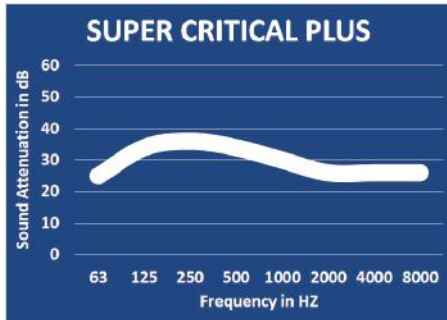
- Hardware Kits
- Flexible connectors and expansion joints
- Elbows
- Thimbles
- Raincaps
- Thermal insulation: integrated or with thermal insulation blankets

Please see our accessories catalog for a complete listing.

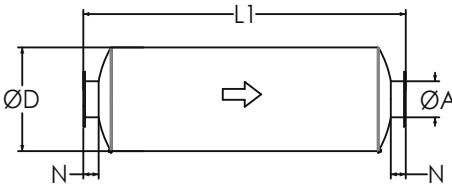
Super Critical Plus Grade Silencers

Model NTSP-C (Cylindrical), 33-38 dBA

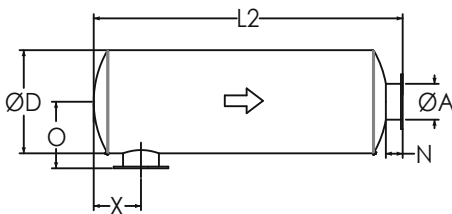
TYPICAL ATTENUATION CURVE



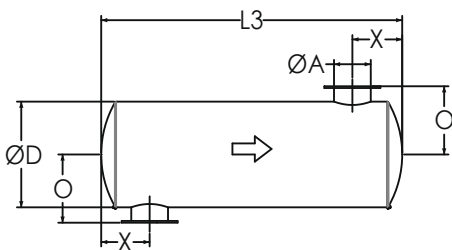
TYPICAL CONFIGURATIONS



END IN END OUT (EI-EO)



SIDE IN END OUT (SI-EO)



SIDE IN SIDE OUT (SI-SO)

Nett Technologies' Super Critical Plus Grade Silencers are designed to achieve maximum performance with the least amount of backpressure. The silencers are Reactive Silencers and are typically used for reciprocating or positive displacement engines where noise level regulations are medium-high.

FEATURES & BENEFITS

- Over 25 years of excellence in manufacturing noise and emission control solutions
- Compact modular designs providing ease of installations, less weight and less foot-print
- Responsive lead time for both standard and custom designs to meet your needs
- Customized engineered systems solutions to meet challenging integration and engine requirements

Contact Nett Technologies with your projects design requirements and specifications for optimized noise control solutions.

PRODUCT DIMENSIONS (in)

Model*	A	D	L1	L2	L3	X**	X	N	O
	Outlet	Dia	EI-EO	SI-EO	SI-SO	Min	Max	Nipple	O
NTSP-C1	1	6	28	26	24	3	14	2	5
NTSP-C1.5	1.5	8	30	28	26	3	17	2	6
NTSP-C2	2	9	34	31	28	4	20	3	8
NTSP-C2.5	2.5	9	38	35	32	5	23	3	8
NTSP-C3	3	10	44	41	38	5	27	3	8
NTSP-C3.5	3.5	12	46	43	40	6	28	3	9
NTSP-C4	4	14	52	49	46	6	31	3	10
NTSP-C5	5	16	58	55	52	7	35	3	11
NTSP-C6	6	16	64	60	56	8	40	4	12
NTSP-C8	8	20	72	68	64	9	45	4	14
NTSP-C10	10	24	80	76	72	12	49	4	16
NTSP-C12	12	30	98	94	90	14	61	4	19
NTSP-C14	14	36	104	99	94	16	63	5	23
NTSP-C16	16	36	118	113	108	17	72	5	23
NTSP-C18	18	42	126	121	116	20	78	5	26
NTSP-C20	20	48	146	141	136	22	92	5	29
NTSP-C22	22	50	150	145	140	25	93	5	30
NTSP-C24	24	50	174	169	164	27	112	5	30

* Other models and custom designs are available upon request. Dimensions subject to change without notice. All silencers are equipped with drain ports on inlet side. The silencer is all welded construction and coated with high heat black paint for maximum durability.

** Standard inlet/outlet position.

OPTIONS

- Versatile connections including ANSI pattern flanges, NPT, slip-on, engine flange, schedule 40 and others
- Aluminized Steel, Stainless Steel 304 or 316 construction
- Horizontal or vertical mounting brackets and lifting lugs

ACCESSORIES

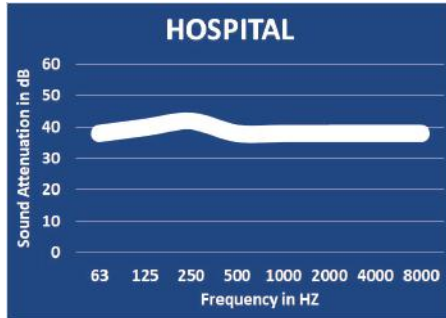
- Hardware Kits
- Flexible connectors and expansion joints
- Elbows
- Thimbles
- Raincaps
- Thermal insulation: integrated or with thermal insulation blankets

Please see our accessories catalog for a complete listing.

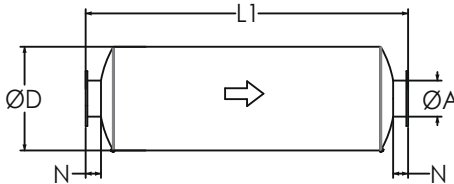
Hospital Grade Silencers

Model NTHO-C (Cylindrical), 35-40 dBA

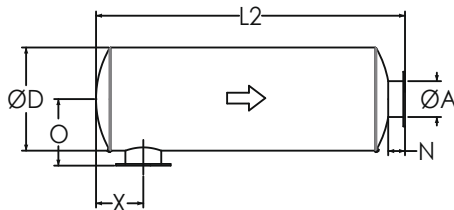
TYPICAL ATTENUATION CURVE



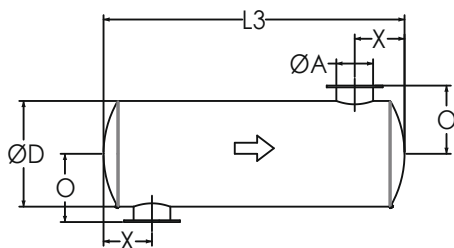
TYPICAL CONFIGURATIONS



END IN END OUT (EI-EO)



SIDE IN END OUT (SI-EO)



SIDE IN SIDE OUT (SI-SO)

Nett Technologies' Hospital Grade Silencers are designed to achieve maximum performance with the least amount of backpressure.

The silencers are Reactive Silencers and are typically used for reciprocating or positive displacement engines where noise level regulations are high.

FEATURES & BENEFITS

- Over 25 years of excellence in manufacturing noise and emission control solutions
- Compact modular designs providing ease of installations, less weight and less foot-print
- Responsive lead time for both standard and custom designs to meet your needs
- Customized engineered systems solutions to meet challenging integration and engine requirements

Contact Nett Technologies with your projects design requirements and specifications for optimized noise control solutions.

OPTIONS

- Versatile connections including ANSI pattern flanges, NPT, slip-on, engine flange, schedule 40 and others
- Aluminized Steel, Stainless Steel 304 or 316 construction
- Horizontal or vertical mounting brackets and lifting lugs

ACCESSORIES

- Hardware Kits
- Flexible connectors and expansion joints
- Elbows
- Thimbles
- Raincaps
- Thermal insulation: integrated or with thermal insulation blankets

Please see our accessories catalog for a complete listing.

PRODUCT DIMENSIONS (in)

Model*	A	D	L1	L2	L3	X**	X	N	O
	Outlet	Dia	EI-EO	SI-EO	SI-SO	Min	Max	Nipple	O
NTHO-C1	1	6	28	26	24	3	9	2	5
NTHO-C1.5	1.5	8	32	30	28	3	9	2	6
NTHO-C2	2	9	34	31	28	4	10	3	8
NTHO-C2.5	2.5	9	40	37	34	5	12	3	8
NTHO-C3	3	10	46	43	40	5	13	3	8
NTHO-C3.5	3.5	12	56	53	50	6	15	3	9
NTHO-C4	4	14	66	63	60	7	17	3	10
NTHO-C5	5	16	76	73	70	8	20	3	11
NTHO-C6	6	20	72	68	64	9	23	4	14
NTHO-C8	8	24	100	96	92	11	28	4	16
NTHO-C10	10	24	120	116	112	15	32	4	16
NTHO-C12	12	30	132	128	124	16	35	4	19
NTHO-C14	14	36	142	137	132	16	37	5	23
NTHO-C16	16	40	180	175	170	17	49	5	25
NTHO-C18	18	42	190	185	180	20	52	5	26
NTHO-C20	20	48	200	195	190	22	54	5	29
NTHO-C22	22	50	210	205	200	25	57	5	30
NTHO-C24	24	50	230	225	220	27	63	5	30

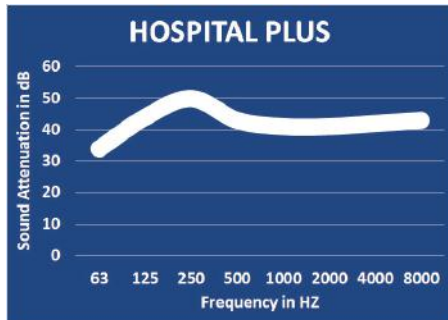
* Other models and custom designs are available upon request. Dimensions subject to change without notice. All silencers are equipped with drain ports on inlet side. The silencer is all welded construction and coated with high heat black paint for maximum durability.

** Standard inlet/outlet position.

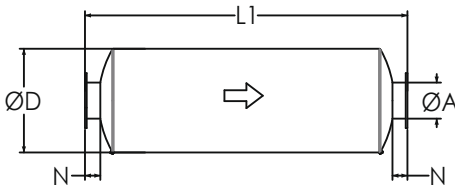
Hospital Plus Grade Silencers

Model NTHP-C (Cylindrical), 40-50 dBA

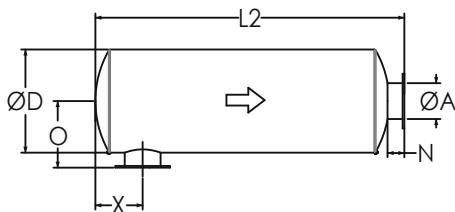
TYPICAL ATTENUATION CURVE



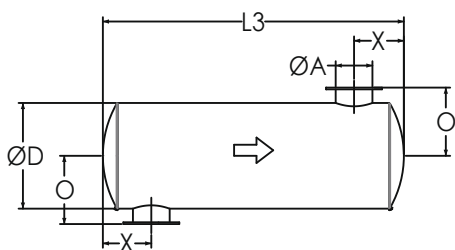
TYPICAL CONFIGURATIONS



END IN END OUT (EI-EO)



SIDE IN END OUT (SI-EO)



SIDE IN SIDE OUT (SI-SO)

Nett Technologies' Hospital Plus Grade Silencers are designed to achieve maximum performance with the least amount of backpressure. The silencers are Reactive Silencers and are typically used for reciprocating or positive displacement engines where noise level regulations are critically-high.

FEATURES & BENEFITS

- Over 25 years of excellence in manufacturing noise and emission control solutions
- Compact modular designs providing ease of installations, less weight and less foot-print
- Responsive lead time for both standard and custom designs to meet your needs
- Customized engineered systems solutions to meet challenging integration and engine requirements

Contact Nett Technologies with your projects design requirements and specifications for optimized noise control solutions.

OPTIONS

- Versatile connections including ANSI pattern flanges, NPT, slip-on, engine flange, schedule 40 and others
- Aluminized Steel, Stainless Steel 304 or 316 construction
- Horizontal or vertical mounting brackets and lifting lugs

ACCESSORIES

- Hardware Kits
- Flexible connectors and expansion joints
- Elbows
- Thimbles
- Raincaps
- Thermal insulation: integrated or with thermal insulation blankets

Please see our accessories catalog for a complete listing.

PRODUCT DIMENSIONS (in)

Model*	A	D	L1	L2	L3	X**	X	N	O
	Outlet	Dia	EI-EO	SI-EO	SI-SO	Min	Max	Nipple	O
NTHP-C1	1	6	28	26	24	3	9	2	5
NTHP-C1.5	1.5	8	32	30	28	3	9	2	6
NTHP-C2	2	9	34	31	28	4	10	3	8
NTHP-C2.5	2.5	9	40	37	34	5	12	3	8
NTHP-C3	3	10	46	43	40	5	13	3	8
NTHP-C3.5	3.5	12	56	53	50	6	15	3	9
NTHP-C4	4	14	66	63	60	7	17	3	10
NTHP-C5	5	16	76	73	70	8	20	3	11
NTHP-C6	6	20	72	68	64	9	23	4	14
NTHP-C8	8	24	100	96	92	11	28	4	16
NTHP-C10	10	24	120	116	112	15	32	4	16
NTHP-C12	12	30	132	128	124	16	35	4	19
NTHP-C14	14	36	142	137	132	16	37	5	23
NTHP-C16	16	40	180	175	170	17	49	5	25
NTHP-C18	18	42	190	185	180	20	52	5	26
NTHP-C20	20	48	200	195	190	22	54	5	29
NTHP-C22	22	50	210	205	200	25	57	5	30
NTHP-C24	24	50	230	225	220	27	63	5	30

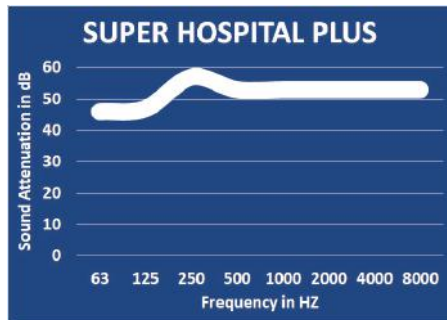
* Other models and custom designs are available upon request. Dimensions subject to change without notice. All silencers are equipped with drain ports on inlet side. The silencer is all welded construction and coated with high heat black paint for maximum durability.

** Standard inlet/outlet position.

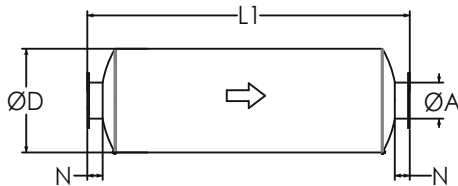
Super Hospital Plus Silencers

Model NTSH-C (Cylindrical), 50-60 dBA

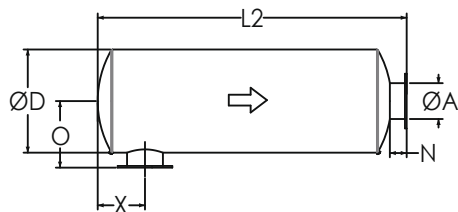
TYPICAL ATTENUATION CURVE



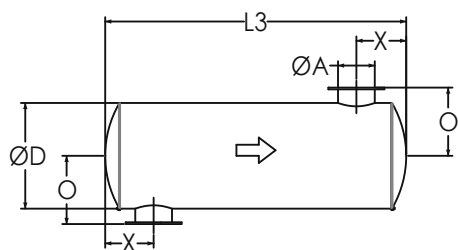
TYPICAL CONFIGURATIONS



END IN END OUT (EI-EO)



SIDE IN END OUT (SI-EO)



SIDE IN SIDE OUT (SI-SO)

Nett Technologies' Super Hospital Plus Grade Silencers are designed to achieve maximum performance with the least amount of backpressure. The silencers are reactive and absorptive silencers which are typically used for reciprocating or positive displacement engines where noise level regulations are extreme.

FEATURES & BENEFITS

- Over 25 years of excellence in manufacturing noise and emission control solutions
- Compact modular designs providing ease of installations, less weight and less foot-print
- Responsive lead time for both standard and custom designs to meet your needs
- Customized engineered systems solutions to meet challenging integration and engine requirements

Contact Nett Technologies with your projects design requirements and specifications for optimized noise control solutions.

PRODUCT DIMENSIONS (in)

Model*	A	D	L1	L2	L3	X	X	N	O
	Outlet	Dia	EI-EO	SI-EO	SI-SO	Min	Max	Nipple	O
NTSH-C1	1	10	48	46	44	5	9	2	7
NTSH-C1.5	1.5	12	60	58	56	5	9	2	8
NTSH-C2	2	12	64	61	58	5	10	3	9
NTSH-C2.5	2.5	12	68	65	62	6	12	3	9
NTSH-C3	3	14	70	67	64	7	13	3	10
NTSH-C3.5	3.5	16	78	75	72	8	15	3	11
NTSH-C4	4	20	82	79	76	8	17	3	13
NTSH-C5	5	20	88	85	82	9	20	3	13
NTSH-C6	6	24	100	96	92	10	23	4	16
NTSH-C8	8	36	132	128	124	13	28	4	22
NTSH-C10	10	36	140	136	132	14	32	4	22
NTSH-C12	12	40	158	154	150	15	35	4	24
NTSH-C14	14	42	174	169	164	18	37	5	26
NTSH-C16	16	48	194	189	184	18	49	5	29
NTSH-C18	18	50	205	200	195	21	52	5	30
NTSH-C20	20	54	226	221	216	24	54	5	32
NTSH-C22	22	54	228	223	218	26	57	5	32
NTSH-C24	24	60	233	228	223	27	63	5	35

* Other models and custom designs are available upon request. Dimensions subject to change without notice. All silencers are equipped with drain ports on inlet side. The silencer is all welded construction and coated with high heat black paint for maximum durability.

** Standard inlet/outlet position.

OPTIONS

- Versatile connections including ANSI pattern flanges, NPT, slip-on, engine flange, schedule 40 and others
- Aluminized Steel, Stainless Steel 304 or 316 construction
- Horizontal or vertical mounting brackets and lifting lugs

ACCESSORIES

- Hardware Kits
- Flexible connectors and expansion joints
- Elbows
- Thimbles
- Raincaps
- Thermal insulation: integrated or with thermal insulation blankets

Please see our accessories catalog for a complete listing.

Residential Grade Silencers

Disc Shape (20-25 dBA). Model NTRS-D

Nett Technologies' Residential Grade Silencers are designed to achieve maximum performance with the least amount of backpressure. These reactive silencers are typically used for reciprocating or positive displacement engines where noise level regulations are medium-low.

FEATURES & BENEFITS

- Over 25 years of excellence in manufacturing noise and emission control solutions
- Compact modular designs providing ease of installations, less weight and less foot-print
- Responsive lead time for both standard and custom designs to meet your needs
- Customized engineered system solutions to meet challenging integration and engine requirements

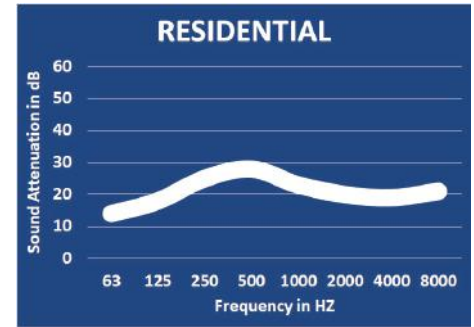
OPTIONS

- Versatile connections including ANSI pattern flanges, NPT, slip-on, engine flange, schedule 40 and others
- Aluminized Steel, Stainless Steel 304 or 316 construction
- Two inlet configuration is available upon request

ACCESSORIES

- Hardware Kits
- Flexible connectors and expansion joints
- Elbows
- Thimbles
- Raincaps
- Thermal insulation: integrated or with thermal insulation blankets

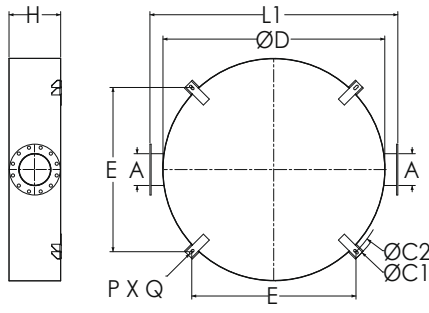
TYPICAL ATTENUATION CURVE



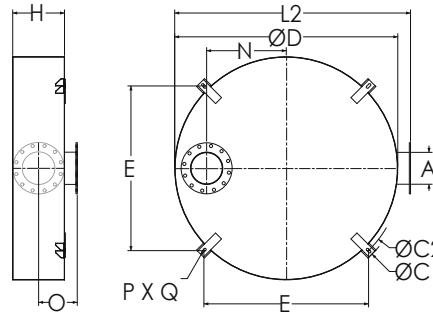
Please see our accessories catalog for a complete listing.

Contact Nett Technologies with your projects design requirements and specifications for optimized noise control solutions.

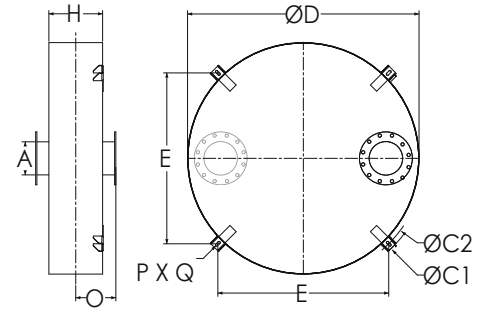
TYPICAL CONFIGURATIONS



END IN END OUT (EI-EO)



BOTTOM IN END OUT (BI-EO)



BOTTOM IN TOP OUT (BI-TO)

PRODUCT DIMENSIONS (in)

Model*	A	D	H	L1	L2	O	N	E	C1	C2	P	Q
	Outlet	Dia	Height	EI-EO	BI-EO		Max				Slot Dia	Slot L
NTRS-D4	4	22	7	30	26	7.5	5.5	17.13	29	24.25	0.625	1.375
NTRS-D5	5	24	8	32	28	8	6	18.5	31	26.25	0.625	1.375
NTRS-D6	6	28	10	36	32	9	7.5	21.38	35	30.25	0.625	1.375
NTRS-D8	8	34	12	42	38	10	9.25	25.63	41	36.25	0.625	1.375
NTRS-D10	10	38	14	46	42	11	10	29	46	41	0.75	1.75
NTRS-D12	12	40	16	48	44	12	9.5	30.38	48	43	0.75	1.75
NTRS-D14	14	42	18	50	46	13	9.5	31.88	50	45	0.75	1.75
NTRS-D16	16	44	20	52	48	14	9.25	33.25	52	47	0.75	1.75
NTRS-D18	18	60	26	68	64	17	16.5	45.25	69	64	1	2
NTRS-D20	20	66	28	74	70	18	18.25	49.5	75	70	1	2

* Other models and custom designs are available upon request. Dimensions subject to change without notice. All silencers are equipped with drain ports on inlet side. The silencer is all welded construction and coated with high heat black paint for maximum durability.

Residential Grade Silencers

Disc Shape with 1" Insulation (22-27 dBA). Model NTRS1-D

Nett Technologies' Residential Grade Silencers are designed to achieve maximum performance with the least amount of backpressure. These reactive/absorptive silencers are typically used for reciprocating or positive displacement engines where noise level regulations are medium-low.

FEATURES & BENEFITS

- Over 25 years of excellence in manufacturing noise and emission control solutions
- Compact modular designs providing ease of installations, less weight and less foot-print
- Responsive lead time for both standard and custom designs to meet your needs
- Customized engineered system solutions to meet challenging integration and engine requirements

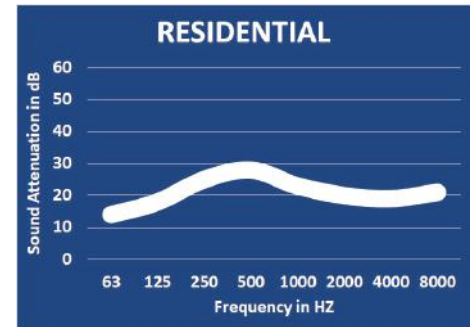
OPTIONS

- Versatile connections including ANSI pattern flanges, NPT, slip-on, engine flange, schedule 40 and others
- Aluminized Steel, Stainless Steel 304 or 316 construction
- Two inlet configuration is available upon request

ACCESSORIES

- Hardware Kits
- Flexible connectors and expansion joints
- Elbows
- Thimbles
- Raincaps
- Thermal insulation: integrated or with thermal insulation blankets

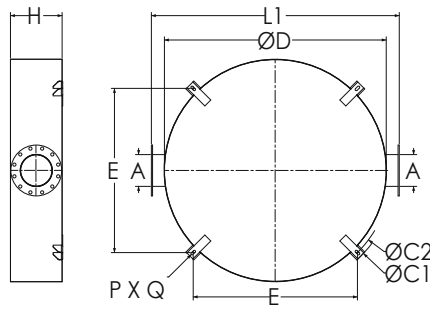
TYPICAL ATTENUATION CURVE



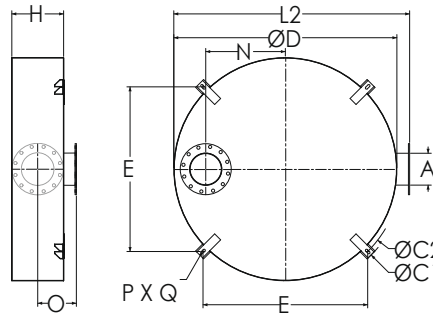
Please see our accessories catalog for a complete listing.

Contact Nett Technologies with your projects design requirements and specifications for optimized noise control solutions.

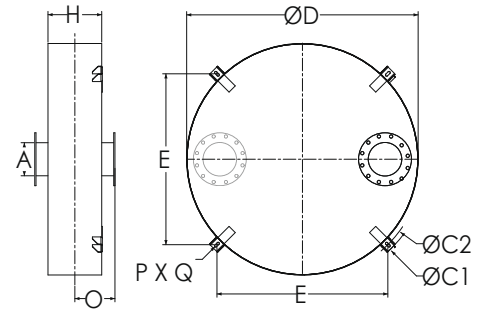
TYPICAL CONFIGURATIONS



END IN END OUT (EI-EO)



BOTTOM IN END OUT (BI-EO)



BOTTOM IN TOP OUT (BI-TO)

PRODUCT DIMENSIONS (in)

Model*	A	D	H	L1	L2	O	N	E	C1	C2	P	Q
	Outlet	Dia	Height	EI-EO	BI-EO		Max				Slot Dia	Slot L
NTRS1-D4	4	22	7	30	26	7.5	5.5	17.13	29	24.25	0.625	1.375
NTRS1-D5	5	24	8	32	28	8	6	18.5	31	26.25	0.625	1.375
NTRS1-D6	6	28	9	36	32	8.5	7.5	21.38	35	30.25	0.625	1.375
NTRS1-D8	8	34	13	42	38	10.5	9.25	25.63	41	36.25	0.625	1.375
NTRS1-D10	10	38	14	46	42	11	10	29	46	41	0.75	1.75
NTRS1-D12	12	40	17	48	44	12.5	9.5	30.38	48	43	0.75	1.75
NTRS1-D14	14	44	18	52	48	13	10.5	33.25	52	47	0.75	1.75
NTRS1-D16	16	46	21	54	50	14.5	10.25	34.63	54	49	0.75	1.75
NTRS1-D18	18	60	25	68	64	16.5	16.5	45.25	69	64	1	2
NTRS1-D20	20	66	30	74	70	19	18.25	49.5	75	70	1	2

* This 1" internally insulated model provides a great reduction in the outer surface temperature. Other models and custom designs are available upon request. Dimensions subject to change without notice. All silencers are equipped with drain ports on inlet side. The silencer is all welded construction and coated with high heat black paint for maximum durability.

Residential Grade Silencers

Disc Shape with 2" Insulation (24-29 dBA). Model NTRS2-D

Nett Technologies' Residential Grade Silencers are designed to achieve maximum performance with the least amount of backpressure. These reactive/absorptive silencers are typically used for reciprocating or positive displacement engines where noise level regulations are medium-low.

FEATURES & BENEFITS

- Over 25 years of excellence in manufacturing noise and emission control solutions
- Compact modular designs providing ease of installations, less weight and less foot-print
- Responsive lead time for both standard and custom designs to meet your needs
- Customized engineered system solutions to meet challenging integration and engine requirements

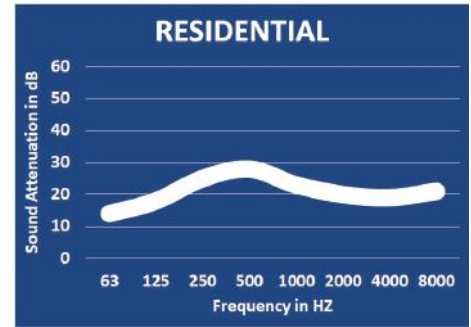
OPTIONS

- Versatile connections including ANSI pattern flanges, NPT, slip-on, engine flange, schedule 40 and others
- Aluminized Steel, Stainless Steel 304 or 316 construction
- Two inlet configuration is available upon request

ACCESSORIES

- Hardware Kits
- Flexible connectors and expansion joints
- Elbows
- Thimbles
- Raincaps
- Thermal insulation: integrated or with thermal insulation blankets

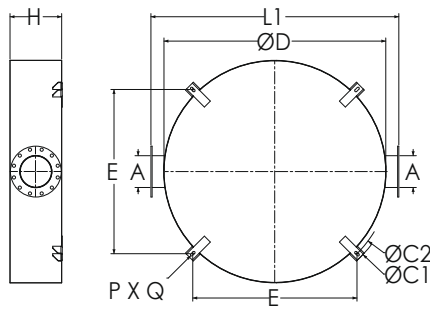
TYPICAL ATTENUATION CURVE



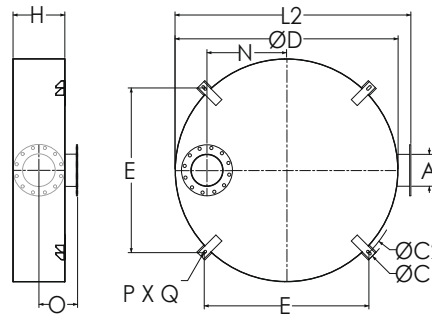
Please see our accessories catalog for a complete listing.

Contact Nett Technologies with your projects design requirements and specifications for optimized noise control solutions.

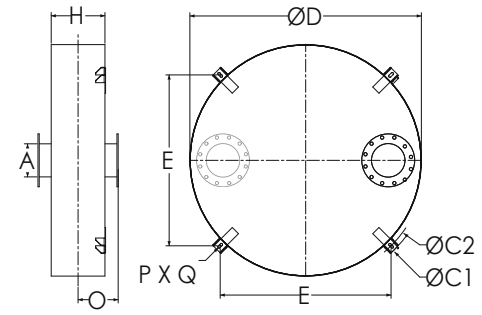
TYPICAL CONFIGURATIONS



END IN END OUT (EI-EO)



BOTTOM IN END OUT (BI-EO)



BOTTOM IN TOP OUT (BI-TO)

PRODUCT DIMENSIONS (in)

Model*	A	D	H	L1	L2	O	N	E	C1	C2	P	Q
	Outlet	Dia	Height	EI-EO	BI-EO		Max				Slot Dia	Slot L
NTRS2-D4	4	22	7	30	26	7.5	5.5	17.13	29	24.25	0.625	1.375
NTRS2-D5	5	24	8	32	28	8	6	18.5	31	26.25	0.625	1.375
NTRS2-D6	6	28	9	36	32	8.5	7.5	21.38	35	30.25	0.625	1.375
NTRS2-D8	8	34	13	42	38	10.5	9.25	25.63	41	36.25	0.625	1.375
NTRS2-D10	10	38	14	46	42	11	10	29	46	41	0.75	1.75
NTRS2-D12	12	40	17	48	44	12.5	9.5	30.38	48	43	0.75	1.75
NTRS2-D14	14	44	18	52	48	13	10.5	33.25	52	47	0.75	1.75
NTRS2-D16	16	46	21	54	50	14.5	10.25	34.63	54	49	0.75	1.75
NTRS2-D18	18	60	25	68	64	16.5	16.5	45.25	69	64	1	2
NTRS2-D20	20	66	30	74	70	19	18.25	49.5	75	70	1	2

* This 2" internally insulated model provides a great reduction in the outer surface temperature. Other models and custom designs are available upon request. Dimensions subject to change without notice. All silencers are equipped with drain ports on inlet side. The silencer is all welded construction and coated with high heat black paint for maximum durability.

Critical Grade Silencers

Disc Shape (25-30 dBA). Model NTCR-D

Nett Technologies' Critical Grade Silencers are designed to achieve maximum performance with the least amount of backpressure. These reactive silencers are typically used for reciprocating or positive displacement engines where noise level regulations are medium.

FEATURES & BENEFITS

- Over 25 years of excellence in manufacturing noise and emission control solutions
- Compact modular designs providing ease of installations, less weight and less foot-print
- Responsive lead time for both standard and custom designs to meet your needs
- Customized engineered system solutions to meet challenging integration and engine requirements

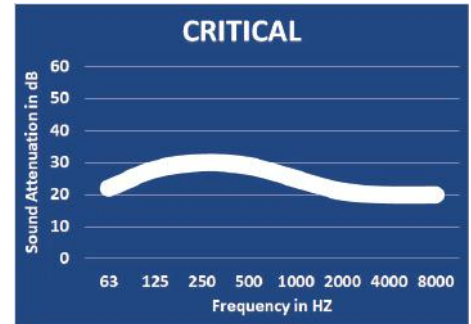
OPTIONS

- Versatile connections including ANSI pattern flanges, NPT, slip-on, engine flange, schedule 40 and others
- Aluminized Steel, Stainless Steel 304 or 316 construction
- Two inlet configuration is available upon request

ACCESSORIES

- Hardware Kits
- Flexible connectors and expansion joints
- Elbows
- Thimbles
- Raincaps
- Thermal insulation: integrated or with thermal insulation blankets

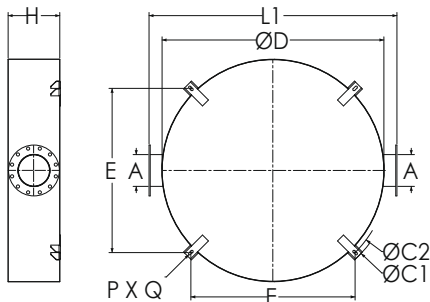
TYPICAL ATTENUATION CURVE



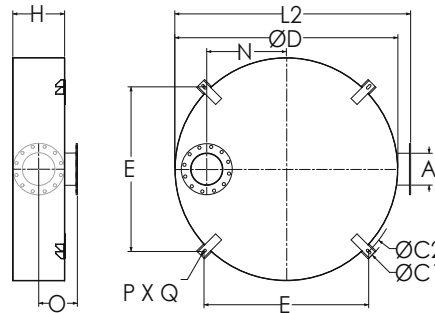
Please see our accessories catalog for a complete listing.

Contact Nett Technologies with your projects design requirements and specifications for optimized noise control solutions.

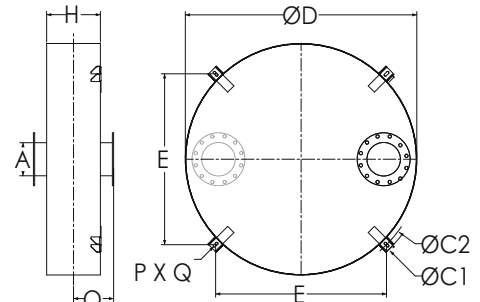
TYPICAL CONFIGURATIONS



END IN END OUT (EI-EO)



BOTTOM IN END OUT (BI-EO)



BOTTOM IN TOP OUT (BI-TO)

PRODUCT DIMENSIONS (in)

Model*	A	D	H	L1	L2	O	N	E	C1	C2	P	Q
	Outlet	Dia	Height	EI-EO	BI-EO		Max				Slot Dia	Slot L
NTCR-D4	4	22	7	30	26	7.5	5.5	17.13	29	24.25	0.625	1.375
NTCR-D5	5	24	8	32	28	8	6	18.5	31	26.25	0.625	1.375
NTCR-D6	6	28	9	36	32	8.5	7.5	21.38	35	30.25	0.625	1.375
NTCR-D8	8	34	11	42	38	9.5	9.25	25.63	41	36.25	0.625	1.375
NTCR-D10	10	38	13	46	42	10.5	10	29	46	41	0.75	1.75
NTCR-D12	12	40	16	48	44	12	9.5	30.38	48	43	0.75	1.75
NTCR-D14	14	44	20	52	48	14	10.5	33.25	52	47	0.75	1.75
NTCR-D16	16	46	20	54	50	14	10.25	34.63	54	49	0.75	1.75
NTCR-D18	18	60	24	68	64	16	16.5	45.25	69	64	1	2
NTCR-D20	20	66	28	74	70	18	18.25	49.5	75	70	1	2

* Other models and custom designs are available upon request. Dimensions subject to change without notice. All silencers are equipped with drain ports on inlet side. The silencer is all welded construction and coated with high heat black paint for maximum durability.

Critical Grade Silencers

Disc Shape with 1" Insulation (27-32 dBA). Model NTCR1-D

Nett Technologies' Critical Grade Silencers are designed to achieve maximum performance with the least amount of backpressure. These reactive/absorptive silencers are typically used for reciprocating or positive displacement engines where noise level regulations are medium.

FEATURES & BENEFITS

- Over 25 years of excellence in manufacturing noise and emission control solutions
- Compact modular designs providing ease of installations, less weight and less foot-print
- Responsive lead time for both standard and custom designs to meet your needs
- Customized engineered system solutions to meet challenging integration and engine requirements

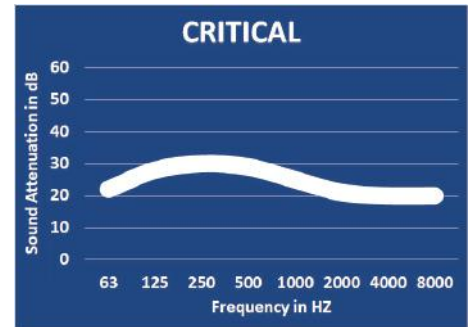
OPTIONS

- Versatile connections including ANSI pattern flanges, NPT, slip-on, engine flange, schedule 40 and others
- Aluminized Steel, Stainless Steel 304 or 316 construction
- Two inlet configuration is available upon request

ACCESSORIES

- Hardware Kits
- Flexible connectors and expansion joints
- Elbows
- Thimbles
- Raincaps
- Thermal insulation: integrated or with thermal insulation blankets

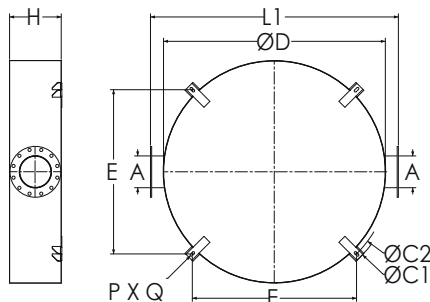
TYPICAL ATTENUATION CURVE



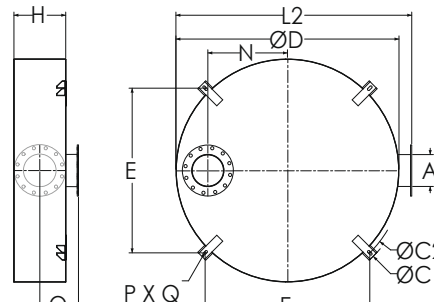
Please see our accessories catalog for a complete listing.

Contact Nett Technologies with your projects design requirements and specifications for optimized noise control solutions.

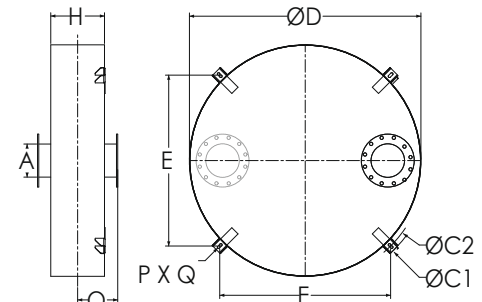
TYPICAL CONFIGURATIONS



END IN END OUT (EI-EO)



BOTTOM IN END OUT (BI-EO)



BOTTOM IN TOP OUT (BI-TO)

PRODUCT DIMENSIONS (in)

Model*	A	D	H	L1	L2	O	N	E	C1	C2	P	Q
	Outlet	Dia	Height	EI-EO	BI-EO		Max				Slot Dia	Slot L
NTCR1-D4	4	24	7	32	28	7.5	6.5	18.5	31	26.25	0.625	1.375
NTCR1-D5	5	26	9	34	30	8.5	7	28.25	44	40	0.625	1.375
NTCR1-D6	6	30	10	38	34	9	8.5	22.75	37	32.25	0.625	1.375
NTCR1-D8	8	34	12	42	38	10	9.25	25.63	41	36.25	0.625	1.375
NTCR1-D10	10	40	14	48	44	11	11	30.38	48	43	0.75	1.75
NTCR1-D12	12	42	17	50	46	12.5	10.5	31.88	50	45	0.75	1.75
NTCR1-D14	14	44	20	52	48	14	10.5	33.25	52	47	0.75	1.75
NTCR1-D16	16	54	23	62	58	15.5	14.25	40.25	62	57	0.75	1.75
NTCR1-D18	18	60	25	68	64	16.5	16.5	45.25	69	64	1	2
NTCR1-D20	20	66	30	74	70	19	18.25	49.5	75	70	1	2

* This 1" internally insulated model provides a great reduction in the outer surface temperature. Other models and custom designs are available upon request. Dimensions subject to change without notice. All silencers are equipped with drain ports on inlet side. The silencer is all welded construction and coated with high heat black paint for maximum durability.

Critical Grade Silencers

Disc Shape with 2" Insulation (29-34 dBA). Model NTCR2-D

Nett Technologies' Critical Grade Silencers are designed to achieve maximum performance with the least amount of backpressure. These reactive/absorptive silencers are typically used for reciprocating or positive displacement engines where noise level regulations are medium.

FEATURES & BENEFITS

- Over 25 years of excellence in manufacturing noise and emission control solutions
- Compact modular designs providing ease of installations, less weight and less foot-print
- Responsive lead time for both standard and custom designs to meet your needs
- Customized engineered system solutions to meet challenging integration and engine requirements

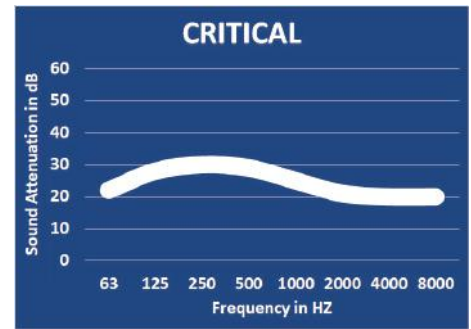
OPTIONS

- Versatile connections including ANSI pattern flanges, NPT, slip-on, engine flange, schedule 40 and others
- Aluminized Steel, Stainless Steel 304 or 316 construction
- Two inlet configuration is available upon request

ACCESSORIES

- Hardware Kits
- Flexible connectors and expansion joints
- Elbows
- Thimbles
- Raincaps
- Thermal insulation: integrated or with thermal insulation blankets

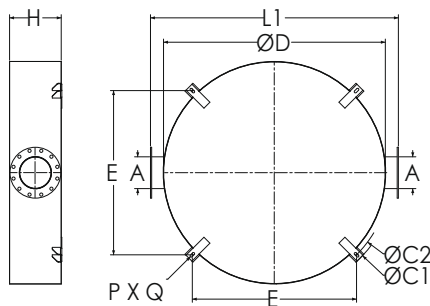
TYPICAL ATTENUATION CURVE



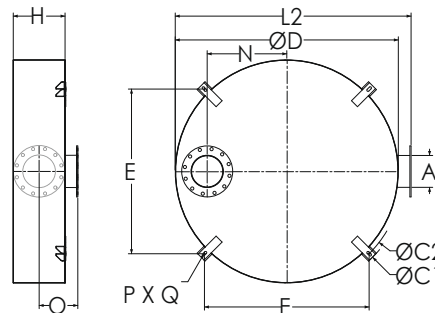
Please see our accessories catalog for a complete listing.

Contact Nett Technologies with your projects design requirements and specifications for optimized noise control solutions.

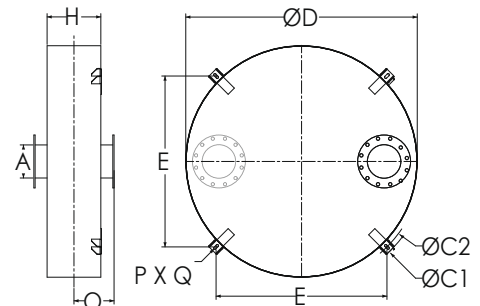
TYPICAL CONFIGURATIONS



END IN END OUT (EI-EO)



BOTTOM IN END OUT (BI-EO)



BOTTOM IN TOP OUT (BI-TO)

PRODUCT DIMENSIONS (in)

Model*	A	D	H	L1	L2	O	N	E	C1	C2	P	Q
	Outlet	Dia	Height	EI-EO	BI-EO		Max				Slot Dia	Slot L
NTCR2-D4	4	24	8	32	28	8	6.5	18.5	31	26.25	0.625	1.375
NTCR2-D5	5	26	10	34	30	9	7	28.25	44	40	0.625	1.375
NTCR2-D6	6	30	12	38	34	10	8.5	22.75	37	32.25	0.625	1.375
NTCR2-D8	8	34	14	42	38	11	9.25	25.63	41	36.25	0.625	1.375
NTCR2-D10	10	40	16	48	44	12	11	30.38	48	43	0.75	1.75
NTCR2-D12	12	42	18	50	46	13	10.5	31.88	50	45	0.75	1.75
NTCR2-D14	14	44	23	52	48	15.5	10.5	33.25	52	47	0.75	1.75
NTCR2-D16	16	54	24	62	58	16	14.25	40.25	62	57	0.75	1.75
NTCR2-D18	18	60	26	68	64	17	16.5	45.25	69	64	1	2
NTCR2-D20	20	66	30	74	70	19	18.25	49.5	75	70	1	2

* This 2" internally insulated model provides a great reduction in the outer surface temperature. Other models and custom designs are available upon request. Dimensions subject to change without notice. All silencers are equipped with drain ports on inlet side. The silencer is all welded construction and coated with high heat black paint for maximum durability.

Super Critical Grade Silencers

Disc Shape (30-37 dBA). Model NTSC-D

Nett Technologies' Super Critical Grade Silencers are designed to achieve maximum performance with the least amount of backpressure. These reactive silencers are typically used for reciprocating or positive displacement engines where noise level regulations are medium-high.

FEATURES & BENEFITS

- Over 25 years of excellence in manufacturing noise and emission control solutions
- Compact modular designs providing ease of installations, less weight and less foot-print
- Responsive lead time for both standard and custom designs to meet your needs
- Customized engineered system solutions to meet challenging integration and engine requirements

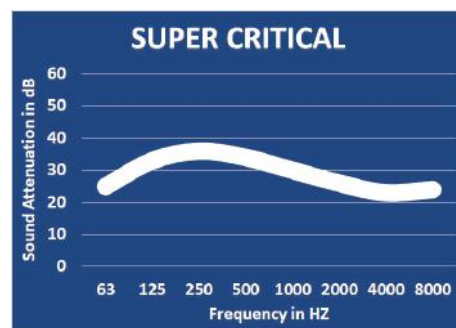
OPTIONS

- Versatile connections including ANSI pattern flanges, NPT, slip-on, engine flange, schedule 40 and others
- Aluminized Steel, Stainless Steel 304 or 316 construction
- Two inlet configuration is available upon request

ACCESSORIES

- Hardware Kits
- Flexible connectors and expansion joints
- Elbows
- Thimbles
- Raincaps
- Thermal insulation: integrated or with thermal insulation blankets

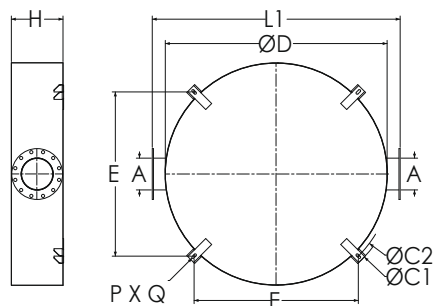
TYPICAL ATTENUATION CURVE



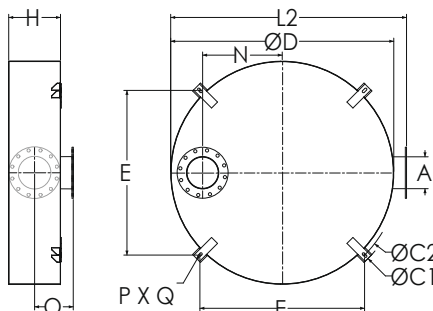
Please see our accessories catalog for a complete listing.

Contact Nett Technologies with your projects design requirements and specifications for optimized noise control solutions.

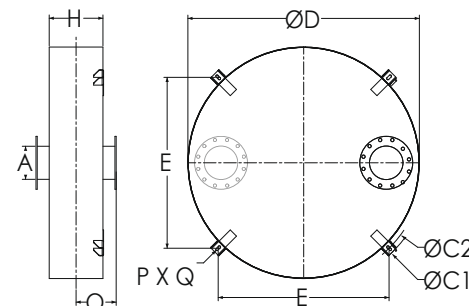
TYPICAL CONFIGURATIONS



END IN END OUT (EI-EO)



BOTTOM IN END OUT (BI-EO)



BOTTOM IN TOP OUT (BI-TO)

PRODUCT DIMENSIONS (in)

Model*	A	D	H	L1	L2	O	N	E	C1	C2	P	Q
	Outlet	Dia	Height	EI-EO	BI-EO		Max				Slot Dia	Slot L
NTSC-D4	4	24	7	32	28	7.5	6.5	18.5	31	26.25	0.625	1.375
NTSC-D5	5	26	8	34	30	8	7	28.25	44	40	0.625	1.375
NTSC-D6	6	30	10	38	34	9	8.5	22.75	37	32.25	0.625	1.375
NTSC-D8	8	34	12	42	38	10	9.25	25.63	41	36.25	0.625	1.375
NTSC-D10	10	40	14	48	44	11	11	30.38	48	43	0.75	1.75
NTSC-D12	12	42	16	50	46	12	10.5	31.88	50	45	0.75	1.75
NTSC-D14	14	44	22	52	48	15	10.5	33.25	52	47	0.75	1.75
NTSC-D16	16	54	25	62	58	16.5	14.25	40.25	62	57	0.75	1.75
NTSC-D18	18	60	28	68	64	18	16.5	45.25	69	64	1	2
NTSC-D20	20	66	32	74	70	20	18.25	49.5	75	70	1	2

* Other models and custom designs are available upon request. Dimensions subject to change without notice. All silencers are equipped with drain ports on inlet side. The silencer is all welded construction and coated with high heat black paint for maximum durability.

Super Critical Grade Silencers

Disc Shape with 1" Insulation (32-39 dBA). Model NTSC1-D

Nett Technologies' Super Critical Grade Silencers are designed to achieve maximum performance with the least amount of backpressure. These reactive/absorptive silencers are typically used for reciprocating or positive displacement engines where noise level regulations are medium-high.

FEATURES & BENEFITS

- Over 25 years of excellence in manufacturing noise and emission control solutions
- Compact modular designs providing ease of installations, less weight and less foot-print
- Responsive lead time for both standard and custom designs to meet your needs
- Customized engineered system solutions to meet challenging integration and engine requirements

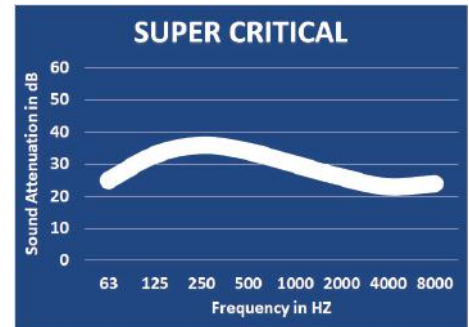
OPTIONS

- Versatile connections including ANSI pattern flanges, NPT, slip-on, engine flange, schedule 40 and others
- Aluminized Steel, Stainless Steel 304 or 316 construction
- Two inlet configuration is available upon request

ACCESSORIES

- Hardware Kits
- Flexible connectors and expansion joints
- Elbows
- Thimbles
- Raincaps
- Thermal insulation: integrated or with thermal insulation blankets

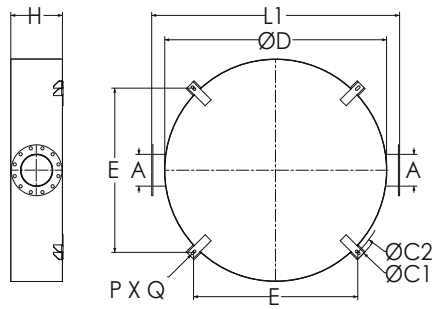
TYPICAL ATTENUATION CURVE



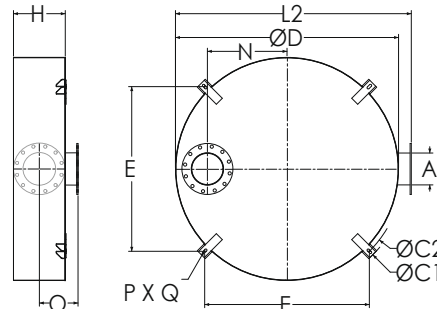
Please see our accessories catalog for a complete listing.

Contact Nett Technologies with your projects design requirements and specifications for optimized noise control solutions.

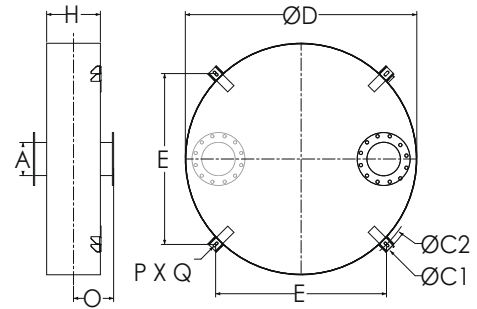
TYPICAL CONFIGURATIONS



END IN END OUT (EI-EO)



BOTTOM IN END OUT (BI-EO)



BOTTOM IN TOP OUT (BI-TO)

PRODUCT DIMENSIONS (in)

Model*	A	D	H	L1	L2	O	N	E	C1	C2	P	Q
	Outlet	Dia	Height	EI-EO	BI-EO		Max				Slot Dia	Slot L
NTSC1-D4	4	26	7	34	30	7.5	7.5	28.25	44	40	0.625	1.375
NTSC1-D5	5	28	8	36	32	8	8	21.38	35	30.25	0.625	1.375
NTSC1-D6	6	30	10	38	34	9	8.5	22.75	37	32.25	0.625	1.375
NTSC1-D8	8	34	12	42	38	10	9.25	25.63	41	36.25	0.625	1.375
NTSC1-D10	10	42	14	50	46	11	12	31.88	50	45	0.75	1.75
NTSC1-D12	12	44	16	52	48	12	11.5	33.25	52	47	0.75	1.75
NTSC1-D14	14	54	22	62	58	15	15.5	40.25	62	57	0.75	1.75
NTSC1-D16	16	54	25	62	58	16.5	14.25	40.25	62	57	0.75	1.75
NTSC1-D18	18	60	28	68	64	18	16.5	45.25	69	64	1	2
NTSC1-D20	20	66	32	74	70	20	18.25	49.5	75	70	1	2

* This 1" internally insulated model provides a great reduction in the outer surface temperature. Other models and custom designs are available upon request. Dimensions subject to change without notice. All silencers are equipped with drain ports on inlet side. The silencer is all welded construction and coated with high heat black paint for maximum durability.

Super Critical Grade Silencers

Disc Shape with 2" Insulation (34-41 dBA). Model NTSC2-D

Nett Technologies' Super Critical Grade Silencers are designed to achieve maximum performance with the least amount of backpressure. These reactive/absorptive silencers are typically used for reciprocating or positive displacement engines where noise level regulations are medium-high.

FEATURES & BENEFITS

- Over 25 years of excellence in manufacturing noise and emission control solutions
- Compact modular designs providing ease of installations, less weight and less foot-print
- Responsive lead time for both standard and custom designs to meet your needs
- Customized engineered system solutions to meet challenging integration and engine requirements

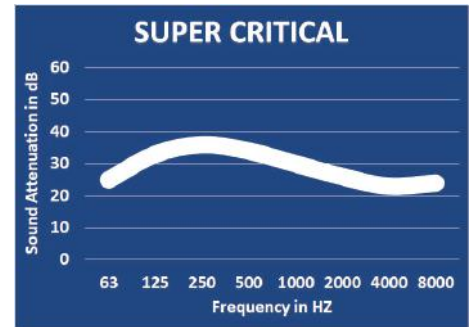
OPTIONS

- Versatile connections including ANSI pattern flanges, NPT, slip-on, engine flange, schedule 40 and others
- Aluminized Steel, Stainless Steel 304 or 316 construction
- Two inlet configuration is available upon request

ACCESSORIES

- Hardware Kits
- Flexible connectors and expansion joints
- Elbows
- Thimbles
- Raincaps
- Thermal insulation: integrated or with thermal insulation blankets

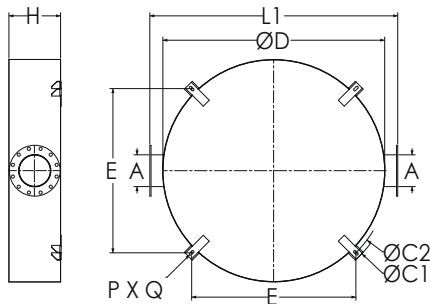
TYPICAL ATTENUATION CURVE



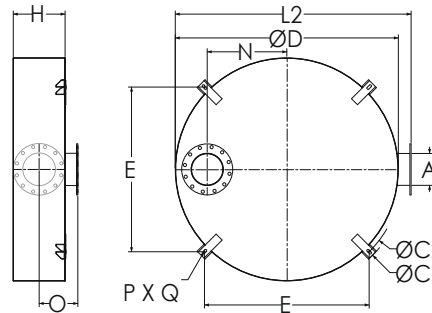
Please see our accessories catalog for a complete listing.

Contact Nett Technologies with your projects design requirements and specifications for optimized noise control solutions.

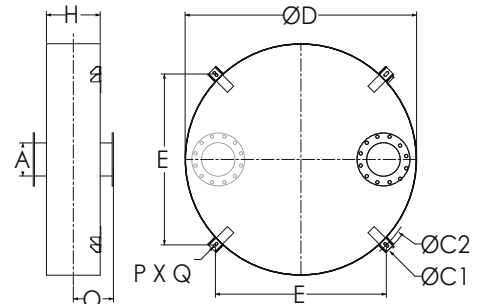
TYPICAL CONFIGURATIONS



END IN END OUT (EI-EO)



BOTTOM IN END OUT (BI-EO)



BOTTOM IN TOP OUT (BI-TO)

PRODUCT DIMENSIONS (in)

Model*	A	D	H	L1	L2	O	N	E	C1	C2	P	Q
	Outlet	Dia	Height	EI-EO	BI-EO		Max				Slot Dia	Slot L
NTSC2-D4	4	26	9	34	30	8.5	7.5	28.25	44	40	0.625	1.375
NTSC2-D5	5	28	11	36	32	9.5	8	21.38	35	30.25	0.625	1.375
NTSC2-D6	6	30	13	38	34	10.5	8.5	22.75	37	32.25	0.625	1.375
NTSC2-D8	8	34	15	42	38	11.5	9.25	25.63	41	36.25	0.625	1.375
NTSC2-D10	10	42	18	50	46	13	12	31.88	50	45	0.75	1.75
NTSC2-D12	12	44	19	52	48	13.5	11.5	33.25	52	47	0.75	1.75
NTSC2-D14	14	54	25	62	58	16.5	15.5	40.25	62	57	0.75	1.75
NTSC2-D16	16	54	26	62	58	17	14.25	40.25	62	57	0.75	1.75
NTSC2-D18	18	60	30	68	64	19	16.5	45.25	69	64	1	2
NTSC2-D20	20	66	32	74	70	20	18.25	49.5	75	70	1	2

* This 2" internally insulated model provides a great reduction in the outer surface temperature. Other models and custom designs are available upon request. Dimensions subject to change without notice. All silencers are equipped with drain ports on inlet side. The silencer is all welded construction and coated with high heat black paint for maximum durability.

Hospital Grade Silencers

Disc Shape with 1" Insulation (35-40 dBA). Model NTH01-D

Nett Technologies' Hospital Grade Silencers are designed to achieve maximum performance with the least amount of backpressure. These reactive/absorptive silencers are typically used for reciprocating or positive displacement engines where noise level regulations are high.

FEATURES & BENEFITS

- Over 25 years of excellence in manufacturing noise and emission control solutions
- Compact modular designs providing ease of installations, less weight and less foot-print
- Responsive lead time for both standard and custom designs to meet your needs
- Customized engineered system solutions to meet challenging integration and engine requirements

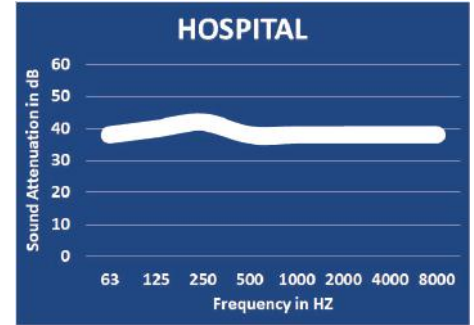
OPTIONS

- Versatile connections including ANSI pattern flanges, NPT, slip-on, engine flange, schedule 40 and others
- Aluminized Steel, Stainless Steel 304 or 316 construction
- Two inlet configuration is available upon request

ACCESSORIES

- Hardware Kits
- Flexible connectors and expansion joints
- Elbows
- Thimbles
- Raincaps
- Thermal insulation: integrated or with thermal insulation blankets

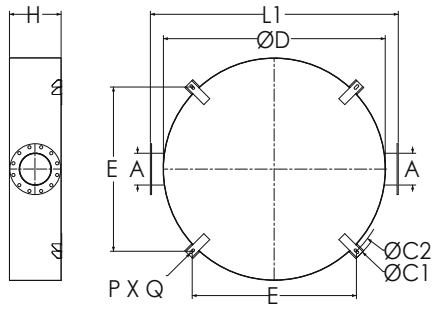
TYPICAL ATTENUATION CURVE



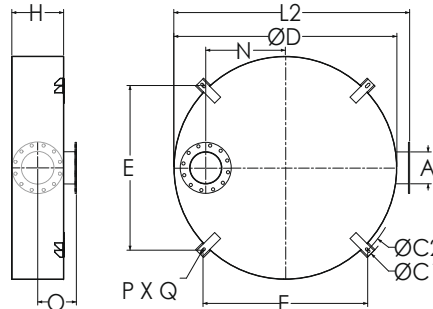
Please see our accessories catalog for a complete listing.

Contact Nett Technologies with your projects design requirements and specifications for optimized noise control solutions.

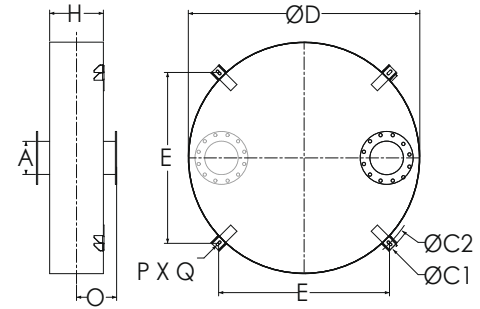
TYPICAL CONFIGURATIONS



END IN END OUT (EI-EO)



BOTTOM IN END OUT (BI-EO)



BOTTOM IN TOP OUT (BI-TO)

PRODUCT DIMENSIONS (in)

Model*	A	D	H	L1	L2	O	N	E	C1	C2	P	Q
	Outlet	Dia	Height	EI-EO	BI-EO		Max				Slot Dia	Slot L
NTH01-D4	4	26	10	34	30	9	7.5	28.25	44	40	0.625	1.375
NTH01-D5	5	28	11	36	32	9.5	8	21.38	35	30.25	0.625	1.375
NTH01-D6	6	30	12	38	34	10	8.5	22.75	37	32.25	0.625	1.375
NTH01-D8	8	34	16	42	38	12	9.25	25.63	41	36.25	0.625	1.375
NTH01-D10	10	42	18	50	46	13	12	31.88	50	45	0.75	1.75
NTH01-D12	12	44	22	52	48	15	11.5	33.25	52	47	0.75	1.75
NTH01-D14	14	54	26	62	58	17	15.5	40.25	62	57	0.75	1.75
NTH01-D16	16	54	28	62	58	18	14.25	40.25	62	57	0.75	1.75
NTH01-D18	18	60	32	68	64	20	16.5	45.25	69	64	1	2
NTH01-D20	20	66	36	74	70	22	18.25	49.50	75	70	1	2

* This 1" internally insulated model provides a great reduction in the outer surface temperature. Other models and custom designs are available upon request. Dimensions subject to change without notice. All silencers are equipped with drain ports on inlet side. The silencer is all welded construction and coated with high heat black paint for maximum durability.

Hospital Grade Silencers

Disc Shape with 2" Insulation (37-42 dBA). Model NTH02-D

Nett Technologies' Hospital Grade Silencers are designed to achieve maximum performance with the least amount of backpressure. These reactive/absorptive silencers are typically used for reciprocating or positive displacement engines where noise level regulations are high.

FEATURES & BENEFITS

- Over 25 years of excellence in manufacturing noise and emission control solutions
- Compact modular designs providing ease of installations, less weight and less foot-print
- Responsive lead time for both standard and custom designs to meet your needs
- Customized engineered system solutions to meet challenging integration and engine requirements

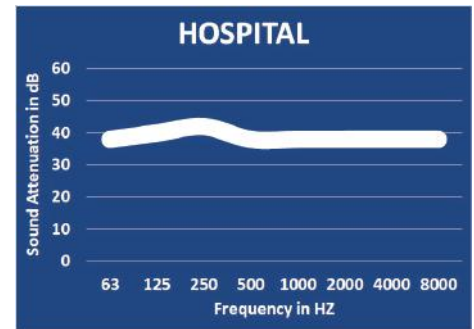
OPTIONS

- Versatile connections including ANSI pattern flanges, NPT, slip-on, engine flange, schedule 40 and others
- Aluminized Steel, Stainless Steel 304 or 316 construction
- Two inlet configuration is available upon request

ACCESSORIES

- Hardware Kits
- Flexible connectors and expansion joints
- Elbows
- Thimbles
- Raincaps
- Thermal insulation: integrated or with thermal insulation blankets

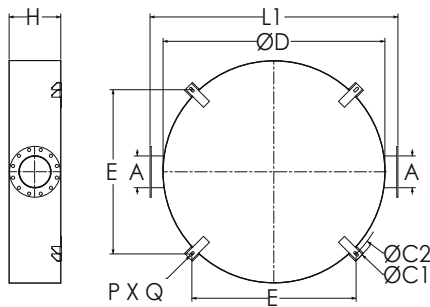
TYPICAL ATTENUATION CURVE



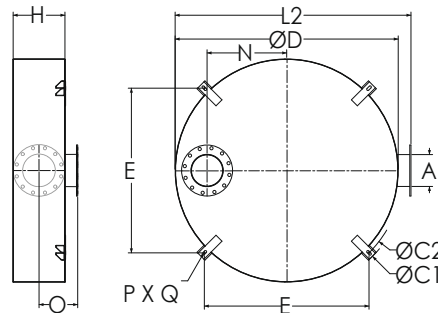
Please see our accessories catalog for a complete listing.

Contact Nett Technologies with your projects design requirements and specifications for optimized noise control solutions.

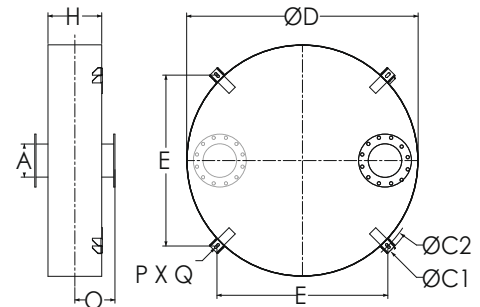
TYPICAL CONFIGURATIONS



END IN END OUT (EI-EO)



BOTTOM IN END OUT (BI-EO)



BOTTOM IN TOP OUT (BI-TO)

PRODUCT DIMENSIONS (in)

Model*	A	D	H	L1	L2	O	N	E	C1	C2	P	Q
	Outlet	Dia	Height	EI-EO	BI-EO		Max				Slot Dia	Slot L
NTH02-D4	4	28	12	36	32	10	8.5	21.38	35	30.25	0.625	1.375
NTH02-D5	5	30	14	38	34	11	9	22.75	37	32.25	0.625	1.375
NTH02-D6	6	34	14	42	38	11	10.5	25.63	41	36.25	0.625	1.375
NTH02-D8	8	38	18	46	42	13	11.25	29	46	41	0.75	1.75
NTH02-D10	10	44	20	52	48	14	13	33.25	52	47	0.75	1.75
NTH02-D12	12	46	24	54	50	16	12.5	34.63	54	49	0.75	1.75
NTH02-D14	14	54	26	62	58	17	15.5	40.25	62	57	0.75	1.75
NTH02-D16	16	60	28	68	64	18	17.25	45.25	69	64	1	2
NTH02-D18	18	66	32	74	70	20	19.5	49.50	75	70	1	2
NTH02-D20	20	70	42	74	74	25	20.25	52	79	74	1	2

* This 2" internally insulated model provides a great reduction in the outer surface temperature. Other models and custom designs are available upon request. Dimensions subject to change without notice. All silencers are equipped with drain ports on inlet side. The silencer is all welded construction and coated with high heat black paint for maximum durability.

Hospital Plus Grade Silencers

Disc Shape with 2" Insulation (42-52 dBA). Model NTHP2-D

Nett Technologies' Hospital Plus Grade Silencers are designed to achieve maximum performance with the least amount of backpressure.

These reactive/absorptive silencers are used for reciprocating or positive displacement engines where noise level regulations are critically-high.

FEATURES & BENEFITS

- Over 25 years of excellence in manufacturing noise and emission control solutions
- Compact modular designs providing ease of installations, less weight and less foot-print
- Responsive lead time for both standard and custom designs to meet your needs
- Customized engineered system solutions to meet challenging integration and engine requirements

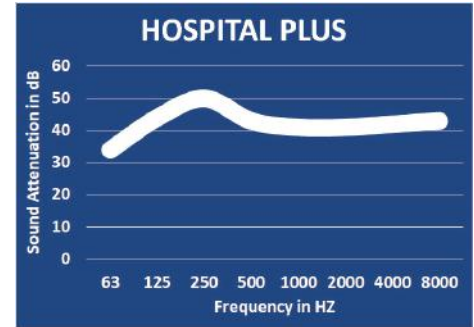
OPTIONS

- Versatile connections including ANSI pattern flanges, NPT, slip-on, engine flange, schedule 40 and others
- Aluminized Steel, Stainless Steel 304 or 316 construction
- Two inlet configuration is available upon request

ACCESSORIES

- Hardware Kits
- Flexible connectors and expansion joints
- Elbows
- Thimbles
- Raincaps
- Thermal insulation: integrated or with thermal insulation blankets

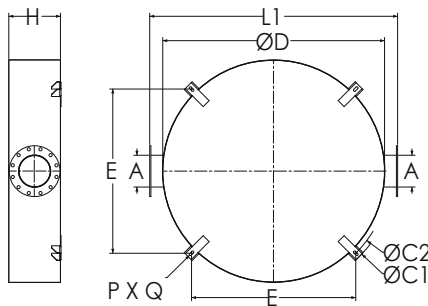
TYPICAL ATTENUATION CURVE



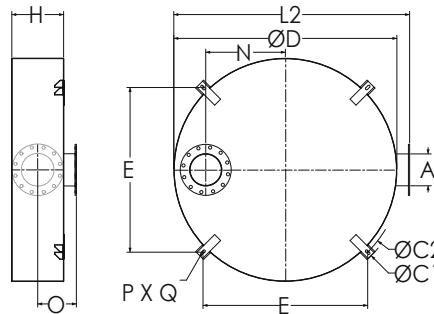
Please see our accessories catalog for a complete listing.

Contact Nett Technologies with your projects design requirements and specifications for optimized noise control solutions.

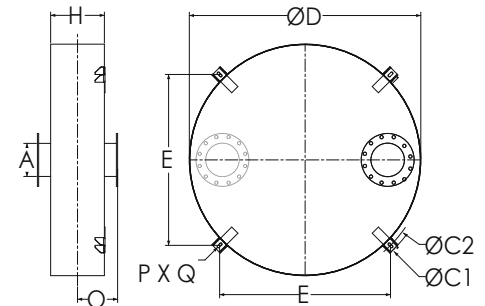
TYPICAL CONFIGURATIONS



END IN END OUT (EI-EO)



BOTTOM IN END OUT (BI-EO)



BOTTOM IN TOP OUT (BI-TO)

PRODUCT DIMENSIONS (in)

Model*	A	D	H	L1	L2	O	N	E	C1	C2	P	Q
	Outlet	Dia	Height	EI-EO	BI-EO		Max				Slot Dia	Slot L
NTHP2-D4	4	32	16	40	36	12	10.5	24.30	39	34.25	0.625	1.375
NTHP2-D5	5	34	18	42	38	13	11	25.70	41	36.25	0.625	1.375
NTHP2-D6	6	38	18	46	42	13	12.5	28.50	47	40.25	0.625	1.375
NTHP2-D8	8	42	22	50	46	15	13.25	31.90	50	45	0.75	1.75
NTHP2-D10	10	48	24	56	52	16	15	36.10	56	51	0.75	1.75
NTHP2-D12	12	50	28	58	54	18	14.5	37.50	58	53	0.75	1.75
NTHP2-D14	14	58	30	66	62	19	17.5	43.20	66	61	0.75	1.75
NTHP2-D16	16	64	32	72	68	20	19.25	48.10	75	68	1	2
NTHP2-D18	18	70	36	78	74	22	21.5	52.40	79	74	1	2
NTHP2-D20	20	74	46	82	78	27	22.25	55.20	83	78	1	2

* This 2" internally insulated model provides a great reduction in the outer surface temperature. Other models and custom designs are available upon request. Dimensions subject to change without notice. All silencers are equipped with drain ports on inlet side. The silencer is all welded construction and coated with high heat black paint for maximum durability.

** Standard inlet/outlet position.

Residential Grade Silencers

Rectangular Shape (20-25 dBA). Model NTRS-R

Nett Technologies' Residential Grade Silencers are designed to achieve maximum performance with the least amount of backpressure.

These reactive silencers are used for reciprocating or positive displacement engines where noise level regulations are medium-low.

FEATURES & BENEFITS

- Over 25 years of excellence in manufacturing noise and emission control solutions
- Compact modular designs providing ease of installations, less weight and less foot-print
- Responsive lead time for both standard and custom designs to meet your needs
- Customized engineered system solutions to meet challenging integration and engine requirements

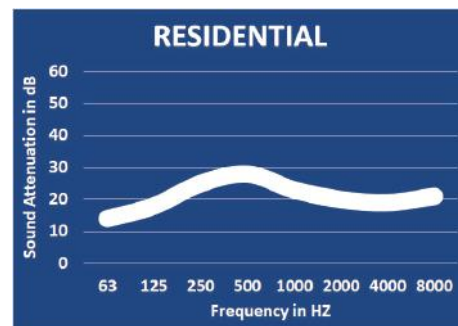
OPTIONS

- Versatile connections including ANSI pattern flanges, NPT, slip-on, engine flange, schedule 40 and others
- Aluminized Steel, Stainless Steel 304 or 316 construction
- Two inlet configuration is available upon request

ACCESSORIES

- Hardware Kits
- Flexible connectors and expansion joints
- Elbows
- Thimbles
- Raincaps
- Thermal insulation: integrated or with thermal insulation blankets

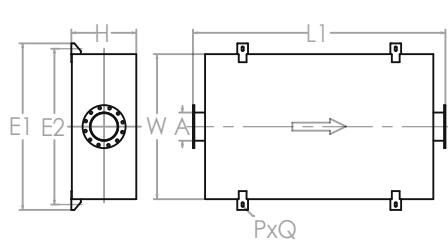
TYPICAL ATTENUATION CURVE



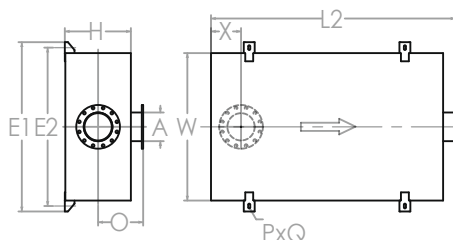
Please see our accessories catalog for a complete listing.

Contact Nett Technologies with your projects design requirements and specifications for optimized noise control solutions.

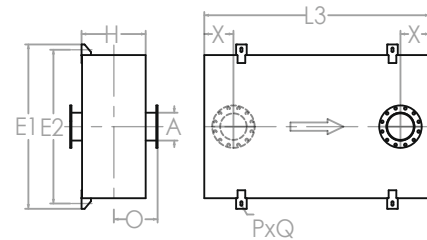
TYPICAL CONFIGURATIONS



END IN END OUT (EI-EO)



BOTTOM IN END OUT (BI-EO)



BOTTOM IN TOP OUT (BI-TO)

PRODUCT DIMENSIONS (in)

Model*	A	W	H	L1	L2	L3	O	X**	X	E1	E2	P	Q
	Outlet	Width	Height	EI-EO	BI-EO	BI-TO		Min	Max			Slot Dia	Slot L
NTRS-R4	4	22	6	28	24	20	4	4.5	9	29	25	0.75	1.75
NTRS-R5	5	24	8	32	28	24	4	5	11	31	27	0.75	1.75
NTRS-R6	6	26	8	34	30	26	4	5.5	12	33	29	0.75	1.75
NTRS-R8	8	32	10	40	36	32	4	6.5	15	39	35	0.75	1.75
NTRS-R10	10	40	12	48	44	40	4	7.5	19	47	43	0.75	1.75
NTRS-R12	12	46	14	54	50	46	4	8.5	22	53	49	0.75	1.75
NTRS-R14	14	54	18	58	54	50	4	9.5	24	62	58	1	2
NTRS-R16	16	60	20	68	64	60	4	10.5	29	68	64	1	2
NTRS-R18	18	70	22	74	70	66	4	11.5	32	78	74	1	2
NTRS-R20	20	72	24	80	76	72	4	12.5	35	80	76	1	2
NTRS-R22	22	86	26	84	80	76	4	13.5	37	96	90.75	1.25	2.25
NTRS-R24	24	88	28	88	84	80	4	14.5	39	98	92.75	1.25	2.25

* Other models and custom designs are available upon request. Dimensions subject to change without notice. All silencers are equipped with drain ports on inlet side. The silencer is all welded construction and coated with high heat black paint for maximum durability.

** Standard inlet/outlet position.

Residential Grade Silencers

Rectangular Shape with 1" Insulation (22-27 dBA). Model NTRS1-R

Nett Technologies' Residential Grade Silencers are designed to achieve maximum performance with the least amount of backpressure.

These reactive/absorptive silencers are used for reciprocating or positive displacement engines where noise level regulations are medium-low.

FEATURES & BENEFITS

- Over 25 years of excellence in manufacturing noise and emission control solutions
- Compact modular designs providing ease of installations, less weight and less foot-print
- Responsive lead time for both standard and custom designs to meet your needs
- Customized engineered system solutions to meet challenging integration and engine requirements

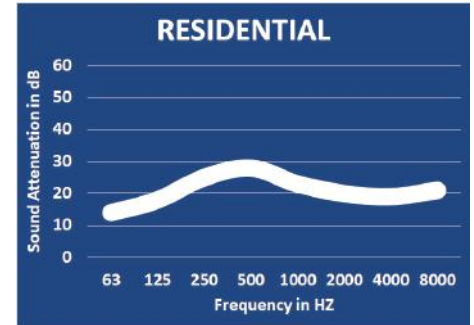
OPTIONS

- Versatile connections including ANSI pattern flanges, NPT, slip-on, engine flange, schedule 40 and others
- Aluminized Steel, Stainless Steel 304 or 316 construction
- Two inlet configuration is available upon request

ACCESSORIES

- Hardware Kits
- Flexible connectors and expansion joints
- Elbows
- Thimbles
- Raincaps
- Thermal insulation: integrated or with thermal insulation blankets

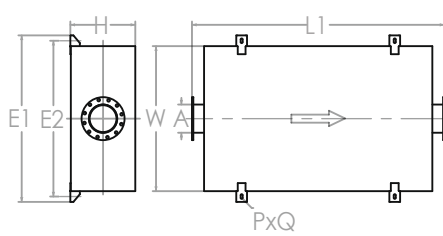
TYPICAL ATTENUATION CURVE



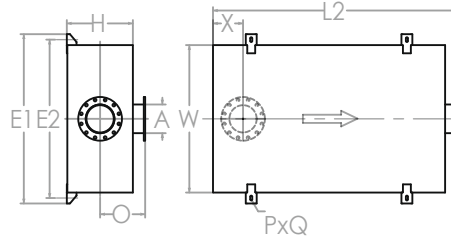
Please see our accessories catalog for a complete listing.

Contact Nett Technologies with your projects design requirements and specifications for optimized noise control solutions.

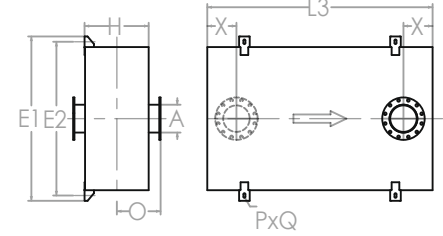
TYPICAL CONFIGURATIONS



END IN END OUT (EI-EO)



BOTTOM IN END OUT (BI-EO)



BOTTOM IN TOP OUT (BI-TO)

PRODUCT DIMENSIONS (in)

Model*	A	W	H	L1	L2	L3	O	X**	X	E1	E2	P	Q
	Outlet	Width	Height	EI-EO	BI-EO	BI-TO		Min	Max			Slot Dia	Slot L
NTRS-T1-R4	4	26	8	30	26	22	4	4.5	10	33	29	0.75	1.75
NTRS-T1-R5	5	28	10	34	30	26	4	5	12	35	31	0.75	1.75
NTRS-T1-R6	6	34	10	36	32	28	4	5.5	13	41	37	0.75	1.75
NTRS-T1-R8	8	42	12	48	44	40	4	6.5	19	49	45	0.75	1.75
NTRS-T1-R10	10	48	14	56	52	48	4	7.5	23	56	52	1	2
NTRS-T1-R12	12	56	16	68	64	60	4	8.5	29	64	60	1	2
NTRS-T1-R14	14	62	20	74	70	66	4	9.5	32	70	66	1	2
NTRS-T1-R16	16	70	22	80	76	72	4	10.5	35	78	74	1	2
NTRS-T1-R18	18	74	24	84	80	76	4	11.5	37	82	78	1	2
NTRS-T1-R20	20	88	26	92	88	84	4	12.5	41	98	92.75	1.25	2.25
NTRS-T1-R22	22	90	28	94	90	86	4	13.5	42	100	94.75	1.25	2.25
NTRS-T1-R24	24	92	30	96	92	88	4	14.5	43	102	96.75	1.25	2.25

* This 1" internally insulated model provides a great reduction in the outer surface temperature. Other models and custom designs are available upon request. Dimensions subject to change without notice. All silencers are equipped with drain ports on inlet side. The silencer is all welded construction and coated with high heat black paint for maximum durability.

** Standard inlet/outlet position.

Residential Grade Silencers

Rectangular Shape with 2" Insulation (24-29 dBA). Model NTRS2-R

Nett Technologies' Residential Grade Silencers are designed to achieve maximum performance with the least amount of backpressure.

These reactive/absorptive silencers are used for reciprocating or positive displacement engines where noise level regulations are medium-low.

FEATURES & BENEFITS

- Over 25 years of excellence in manufacturing noise and emission control solutions
- Compact modular designs providing ease of installations, less weight and less foot-print
- Responsive lead time for both standard and custom designs to meet your needs
- Customized engineered system solutions to meet challenging integration and engine requirements

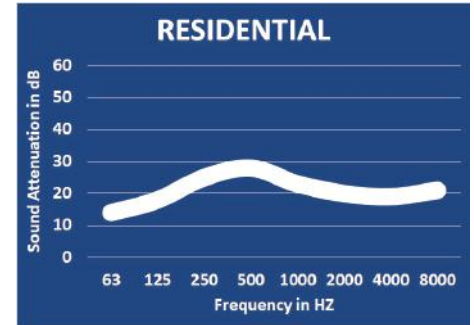
OPTIONS

- Versatile connections including ANSI pattern flanges, NPT, slip-on, engine flange, schedule 40 and others
- Aluminized Steel, Stainless Steel 304 or 316 construction
- Two inlet configuration is available upon request

ACCESSORIES

- Hardware Kits
- Flexible connectors and expansion joints
- Elbows
- Thimbles
- Raincaps
- Thermal insulation: integrated or with thermal insulation blankets

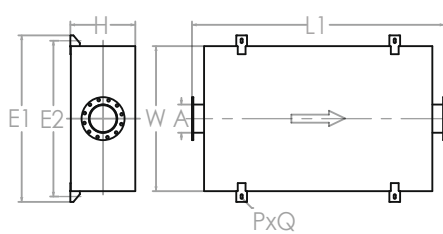
TYPICAL ATTENUATION CURVE



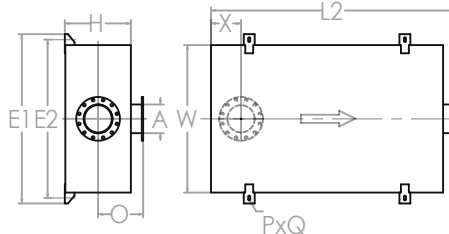
Please see our accessories catalog for a complete listing.

Contact Nett Technologies with your projects design requirements and specifications for optimized noise control solutions.

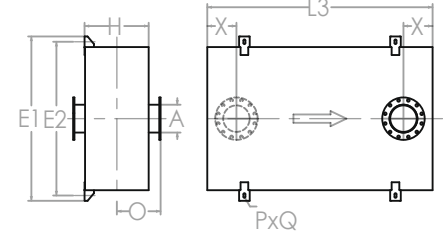
TYPICAL CONFIGURATIONS



END IN END OUT (EI-EO)



BOTTOM IN END OUT (BI-EO)



BOTTOM IN TOP OUT (BI-TO)

PRODUCT DIMENSIONS (in)

Model*	A	W	H	L1	L2	L3	O	X**	X	E1	E2	P	Q
	Outlet	Width	Height	EI-EO	BI-EO	BI-TO		Min	Max			Slot Dia	Slot L
NTRS-T2-R4	4	26	8	30	26	22	4	4.5	10	33	29	0.75	1.75
NTRS-T2-R5	5	28	10	34	30	26	4	5	12	35	31	0.75	1.75
NTRS-T2-R6	6	34	10	36	32	28	4	5.5	13	41	37	0.75	1.75
NTRS-T2-R8	8	42	12	48	44	40	4	6.5	19	49	45	0.75	1.75
NTRS-T2-R10	10	48	14	56	52	48	4	7.5	23	56	52	1	2
NTRS-T2-R12	12	56	16	68	64	60	4	8.5	29	64	60	1	2
NTRS-T2-R14	14	62	20	74	70	66	4	9.5	32	70	66	1	2
NTRS-T2-R16	16	70	22	80	76	72	4	10.5	35	78	74	1	2
NTRS-T2-R18	18	74	24	84	80	76	4	11.5	37	82	78	1	2
NTRS-T2-R20	20	88	26	92	88	84	4	12.5	41	98	92.75	1.25	2.25
NTRS-T2-R22	22	90	28	94	90	86	4	13.5	42	100	94.75	1.25	2.25
NTRS-T2-R24	24	92	30	96	92	88	4	14.5	43	102	96.75	1.25	2.25

* This 2" internally insulated model provides a great reduction in the outer surface temperature. Other models and custom designs are available upon request. Dimensions subject to change without notice. All silencers are equipped with drain ports on inlet side. The silencer is all welded construction and coated with high heat black paint for maximum durability.

** Standard inlet/outlet position.

Critical Grade Silencers

Rectangular Shape (25-30 dBA). Model NTCR-R

Nett Technologies' Critical Grade Silencers are designed to achieve maximum performance with the least amount of backpressure.

These reactive silencers are used for reciprocating or positive displacement engines where noise level regulations are medium.

FEATURES & BENEFITS

- Over 25 years of excellence in manufacturing noise and emission control solutions
- Compact modular designs providing ease of installations, less weight and less foot-print
- Responsive lead time for both standard and custom designs to meet your needs
- Customized engineered system solutions to meet challenging integration and engine requirements

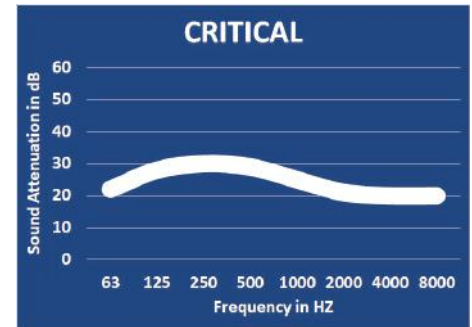
OPTIONS

- Versatile connections including ANSI pattern flanges, NPT, slip-on, engine flange, schedule 40 and others
- Aluminized Steel, Stainless Steel 304 or 316 construction
- Two inlet configuration is available upon request

ACCESSORIES

- Hardware Kits
- Flexible connectors and expansion joints
- Elbows
- Thimbles
- Raincaps
- Thermal insulation: integrated or with thermal insulation blankets

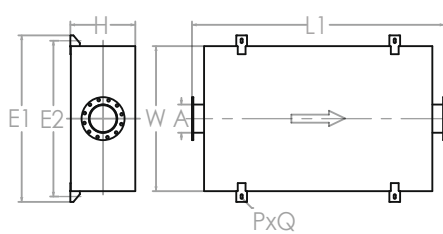
TYPICAL ATTENUATION CURVE



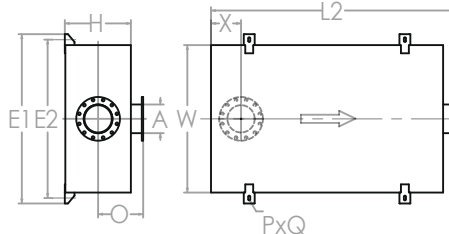
Please see our accessories catalog for a complete listing.

Contact Nett Technologies with your projects design requirements and specifications for optimized noise control solutions.

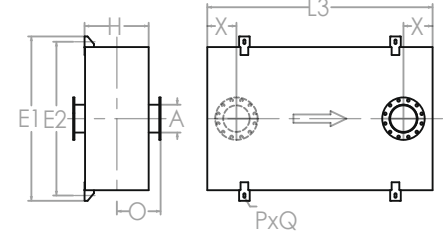
TYPICAL CONFIGURATIONS



END IN END OUT (EI-EO)



BOTTOM IN END OUT (BI-EO)



BOTTOM IN TOP OUT (BI-TO)

PRODUCT DIMENSIONS (in)

Model*	A	W	H	L1	L2	L3	O	X**	X	E1	E2	P	Q
	Outlet	Width	Height	EI-EO	BI-EO	BI-TO		Min	Max			Slot Dia	Slot L
NTCR-R4	4	26	8	30	26	22	4	4.5	10	33	29	0.75	1.75
NTCR-R5	5	28	10	34	30	26	4	5	12	35	31	0.75	1.75
NTCR-R6	6	34	10	36	32	28	4	5.5	13	41	37	0.75	1.75
NTCR-R8	8	42	12	48	44	40	4	6.5	19	49	45	0.75	1.75
NTCR-R10	10	48	14	56	52	48	4	7.5	23	56	52	1	2
NTCR-R12	12	56	16	68	64	60	4	8.5	29	64	60	1	2
NTCR-R14	14	62	20	74	70	66	4	9.5	32	70	66	1	2
NTCR-R16	16	70	22	80	76	72	4	10.5	35	78	74	1	2
NTCR-R18	18	74	24	84	80	76	4	11.5	37	82	78	1	2
NTCR-R20	20	88	26	92	88	84	4	12.5	41	98	92.75	1.25	2.25
NTCR-R22	22	90	28	94	90	86	4	13.5	42	100	94.75	1.25	2.25
NTCR-R24	24	92	30	96	92	88	4	14.5	43	102	96.75	1.25	2.25

* Other models and custom designs are available upon request. Dimensions subject to change without notice. All silencers are equipped with drain ports on inlet side. The silencer is all welded construction and coated with high heat black paint for maximum durability.

** Standard inlet/outlet position.

Critical Grade Silencers

Rectangular Shape with 1" Insulation (27-32 dBA). Model NTCR1-R

Nett Technologies' Critical Grade Silencers are designed to achieve maximum performance with the least amount of backpressure.

These reactive/absorptive silencers are used for reciprocating or positive displacement engines where noise level regulations are medium.

FEATURES & BENEFITS

- Over 25 years of excellence in manufacturing noise and emission control solutions
- Compact modular designs providing ease of installations, less weight and less foot-print
- Responsive lead time for both standard and custom designs to meet your needs
- Customized engineered system solutions to meet challenging integration and engine requirements

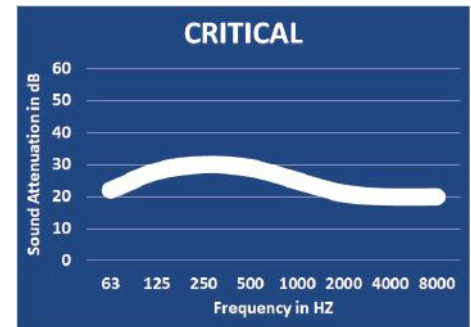
OPTIONS

- Versatile connections including ANSI pattern flanges, NPT, slip-on, engine flange, schedule 40 and others
- Aluminized Steel, Stainless Steel 304 or 316 construction
- Two inlet configuration is available upon request

ACCESSORIES

- Hardware Kits
- Flexible connectors and expansion joints
- Elbows
- Thimbles
- Raincaps
- Thermal insulation: integrated or with thermal insulation blankets

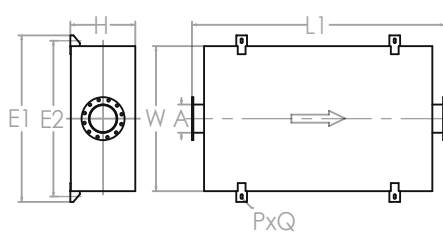
TYPICAL ATTENUATION CURVE



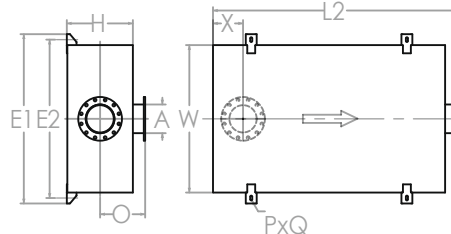
Please see our accessories catalog for a complete listing.

Contact Nett Technologies with your projects design requirements and specifications for optimized noise control solutions.

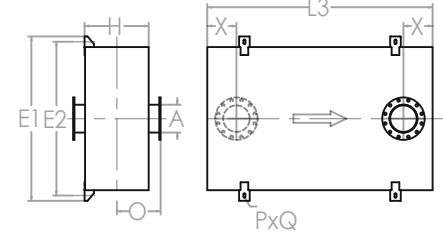
TYPICAL CONFIGURATIONS



END IN END OUT (EI-EO)



BOTTOM IN END OUT (BI-EO)



BOTTOM IN TOP OUT (BI-TO)

PRODUCT DIMENSIONS (in)

Model*	A	W	H	L1	L2	L3	O	X**	X	E1	E2	P	Q
	Outlet	Width	Height	EI-EO	BI-EO	BI-TO		Min	Max			Slot Dia	Slot L
NTCR-T1-R4	4	28	8	32	28	24	4	4.5	11	35	31	0.75	1.75
NTCR-T1-R5	5	30	10	36	32	28	4	5	13	37	33	0.75	1.75
NTCR-T1-R6	6	36	10	38	34	30	4	5.5	14	43	39	0.75	1.75
NTCR-T1-R8	8	44	12	50	46	42	4	6.5	20	51	47	0.75	1.75
NTCR-T1-R10	10	50	14	58	54	50	4	7.5	24	58	54	1	2
NTCR-T1-R12	12	58	16	68	64	60	4	8.5	29	66	62	1	2
NTCR-T1-R14	14	64	20	74	70	66	4	9.5	32	72	68	1	2
NTCR-T1-R16	16	72	22	80	76	72	4	10.5	35	80	76	1	2
NTCR-T1-R18	18	76	24	84	80	76	4	11.5	37	84	80	1	2
NTCR-T1-R20	20	90	26	92	88	84	4	12.5	41	100	94.75	1.25	2.25
NTCR-T1-R22	22	92	28	94	90	86	4	13.5	42	102	96.75	1.25	2.25
NTCR-T1-R24	24	94	30	96	92	88	4	14.5	43	104	98.75	1.25	2.25

* This 1" internally insulated model provides a great reduction in the outer surface temperature. Other models and custom designs are available upon request. Dimensions subject to change without notice. All silencers are equipped with drain ports on inlet side. The silencer is all welded construction and coated with high heat black paint for maximum durability.

** Standard inlet/outlet position.

Critical Grade Silencers

Rectangular Shape with 2" Insulation (29-34 dBA). Model NTCR2-R

Nett Technologies' Critical Grade Silencers are designed to achieve maximum performance with the least amount of backpressure.

These reactive/absorptive silencers are used for reciprocating or positive displacement engines where noise level regulations are medium.

FEATURES & BENEFITS

- Over 25 years of excellence in manufacturing noise and emission control solutions
- Compact modular designs providing ease of installations, less weight and less foot-print
- Responsive lead time for both standard and custom designs to meet your needs
- Customized engineered system solutions to meet challenging integration and engine requirements

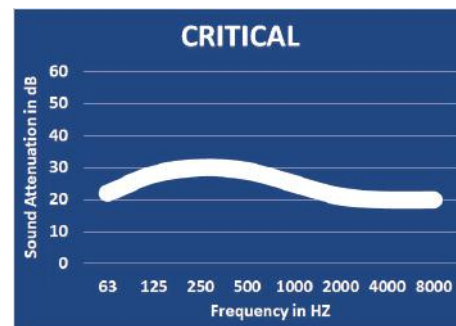
OPTIONS

- Versatile connections including ANSI pattern flanges, NPT, slip-on, engine flange, schedule 40 and others
- Aluminized Steel, Stainless Steel 304 or 316 construction
- Two inlet configuration is available upon request

ACCESSORIES

- Hardware Kits
- Flexible connectors and expansion joints
- Elbows
- Thimbles
- Raincaps
- Thermal insulation: integrated or with thermal insulation blankets

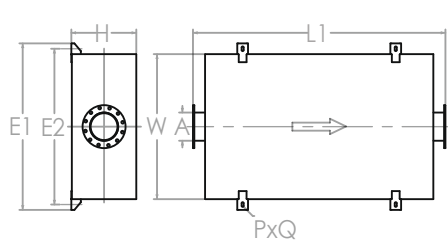
TYPICAL ATTENUATION CURVE



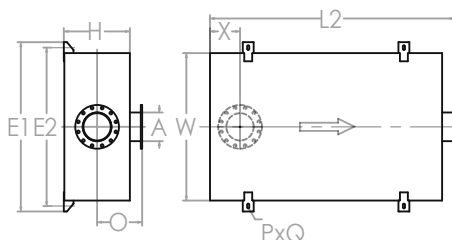
Please see our accessories catalog for a complete listing.

Contact Nett Technologies with your projects design requirements and specifications for optimized noise control solutions.

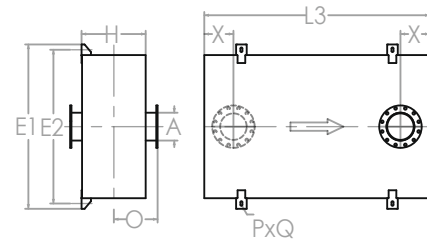
TYPICAL CONFIGURATIONS



END IN END OUT (EI-EO)



BOTTOM IN END OUT (BI-EO)



BOTTOM IN TOP OUT (BI-TO)

PRODUCT DIMENSIONS (in)

Model*	A	W	H	L1	L2	L3	O	X**	X	E1	E2	P	Q
	Outlet	Width	Height	EI-EO	BI-EO	BI-TO		Min	Max			Slot Dia	Slot L
NTCR-T2-R4	4	28	8	32	28	24	4	4.5	11	35	31	0.75	1.75
NTCR-T2-R5	5	30	10	36	32	28	4	5	13	37	33	0.75	1.75
NTCR-T2-R6	6	36	10	38	34	30	4	5.5	14	43	39	0.75	1.75
NTCR-T2-R8	8	44	12	50	46	42	4	6.5	20	51	47	0.75	1.75
NTCR-T2-R10	10	50	14	58	54	50	4	7.5	24	58	54	1	2
NTCR-T2-R12	12	58	16	68	64	60	4	8.5	29	66	62	1	2
NTCR-T2-R14	14	64	20	74	70	66	4	9.5	32	72	68	1	2
NTCR-T2-R16	16	72	22	80	76	72	4	10.5	35	80	76	1	2
NTCR-T2-R18	18	76	24	84	80	76	4	11.5	37	84	80	1	2
NTCR-T2-R20	20	90	26	92	88	84	4	12.5	41	100	94.75	1.25	2.25
NTCR-T2-R22	22	92	28	94	90	86	4	13.5	42	102	96.75	1.25	2.25
NTCR-T2-R24	24	94	30	96	92	88	4	14.5	43	104	98.75	1.25	2.25

* This 2" internally insulated model provides a great reduction in the outer surface temperature. Other models and custom designs are available upon request. Dimensions subject to change without notice. All silencers are equipped with drain ports on inlet side. The silencer is all welded construction and coated with high heat black paint for maximum durability.

** Standard inlet/outlet position.

Super Critical Grade Silencers

Rectangular Shape (30-37 dBA). Model NTSC-R

Nett Technologies' Super Critical Grade Silencers are designed to achieve maximum performance with the least amount of backpressure.

These reactive silencers are used for reciprocating or positive displacement engines where noise level regulations are medium-high.

FEATURES & BENEFITS

- Over 25 years of excellence in manufacturing noise and emission control solutions
- Compact modular designs providing ease of installations, less weight and less foot-print
- Responsive lead time for both standard and custom designs to meet your needs
- Customized engineered system solutions to meet challenging integration and engine requirements

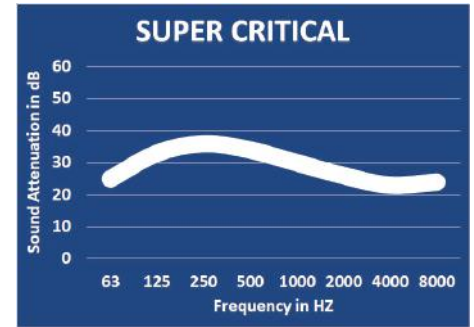
OPTIONS

- Versatile connections including ANSI pattern flanges, NPT, slip-on, engine flange, schedule 40 and others
- Aluminized Steel, Stainless Steel 304 or 316 construction
- Two inlet configuration is available upon request

ACCESSORIES

- Hardware Kits
- Flexible connectors and expansion joints
- Elbows
- Thimbles
- Raincaps
- Thermal insulation: integrated or with thermal insulation blankets

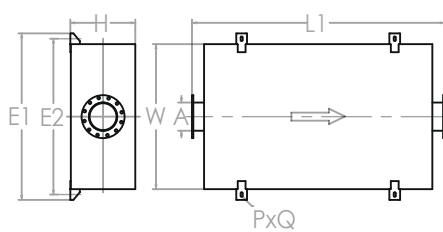
TYPICAL ATTENUATION CURVE



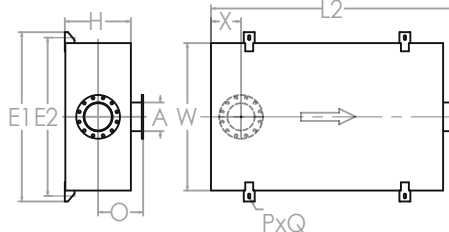
Please see our accessories catalog for a complete listing.

Contact Nett Technologies with your projects design requirements and specifications for optimized noise control solutions.

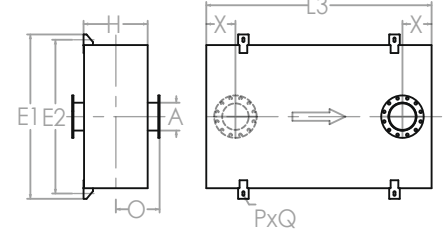
TYPICAL CONFIGURATIONS



END IN END OUT (EI-EO)



BOTTOM IN END OUT (BI-EO)



BOTTOM IN TOP OUT (BI-TO)

PRODUCT DIMENSIONS (in)

Model*	A	W	H	L1	L2	L3	O	X**	X	E1	E2	P	Q
	Outlet	Width	Height	EI-EO	BI-EO	BI-TO		Min	Max			Slot Dia	Slot L
NTSC-R4	4	28	8	32	28	24	4	4.5	11	35	31	0.75	1.75
NTSC-R5	5	30	10	36	32	28	4	5	13	37	33	0.75	1.75
NTSC-R6	6	36	10	38	34	30	4	5.5	14	43	39	0.75	1.75
NTSC-R8	8	44	12	50	46	42	4	6.5	20	51	47	0.75	1.75
NTSC-R10	10	50	14	58	54	50	4	7.5	24	58	54	1	2
NTSC-R12	12	58	16	68	64	60	4	8.5	29	66	62	1	2
NTSC-R14	14	64	20	74	70	66	4	9.5	32	72	68	1	2
NTSC-R16	16	72	22	80	76	72	4	10.5	35	80	76	1	2
NTSC-R18	18	76	24	84	80	76	4	11.5	37	84	80	1	2
NTSC-R20	20	90	26	92	88	84	4	12.5	41	100	94.75	1.25	2.25
NTSC-R22	22	92	28	94	90	86	4	13.5	42	102	96.75	1.25	2.25
NTSC-R24	24	94	30	96	92	88	4	14.5	43	104	98.75	1.25	2.25

* Other models and custom designs are available upon request. Dimensions subject to change without notice. All silencers are equipped with drain ports on inlet side. The silencer is all welded construction and coated with high heat black paint for maximum durability.

** Standard inlet/outlet position.

Super Critical Grade Silencers

Rectangular Shape with 1" Insulation (32-39 dBA). Model NTSC1-R

Nett Technologies' Super Critical Grade Silencers are designed to achieve maximum performance with the least amount of backpressure. These reactive/absorptive silencers are used for reciprocating or positive displacement engines where noise level regulations are medium-high.

FEATURES & BENEFITS

- Over 25 years of excellence in manufacturing noise and emission control solutions
- Compact modular designs providing ease of installations, less weight and less foot-print
- Responsive lead time for both standard and custom designs to meet your needs
- Customized engineered system solutions to meet challenging integration and engine requirements

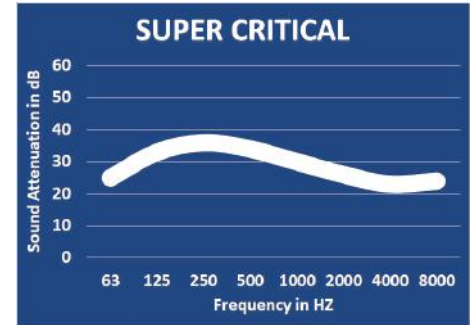
OPTIONS

- Versatile connections including ANSI pattern flanges, NPT, slip-on, engine flange, schedule 40 and others
- Aluminized Steel, Stainless Steel 304 or 316 construction
- Two inlet configuration is available upon request

ACCESSORIES

- Hardware Kits
- Flexible connectors and expansion joints
- Elbows
- Thimbles
- Raincaps
- Thermal insulation: integrated or with thermal insulation blankets

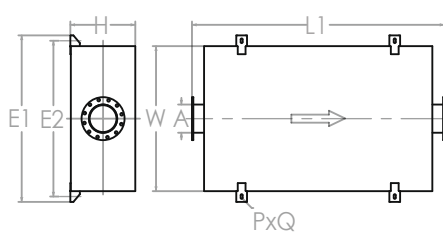
TYPICAL ATTENUATION CURVE



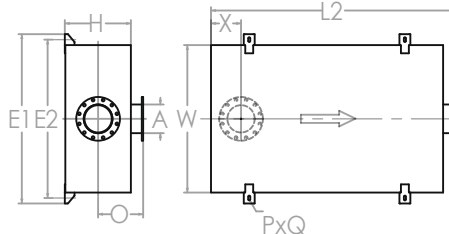
Please see our accessories catalog for a complete listing.

Contact Nett Technologies with your projects design requirements and specifications for optimized noise control solutions.

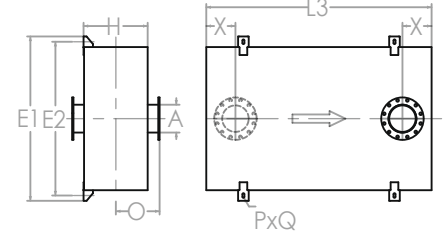
TYPICAL CONFIGURATIONS



END IN END OUT (EI-EO)



BOTTOM IN END OUT (BI-EO)



BOTTOM IN TOP OUT (BI-TO)

PRODUCT DIMENSIONS (in)

Model*	A	W	H	L1	L2	L3	O	X**	X	E1	E2	P	Q
	Outlet	Width	Height	EI-EO	BI-EO	BI-TO		Min	Max			Slot Dia	Slot L
NTSC-T1-R4	4	28	8	32	28	24	4	4.5	11	35	31	0.75	1.75
NTSC-T1-R5	5	30	10	36	32	28	4	5	13	37	33	0.75	1.75
NTSC-T1-R6	6	36	10	38	34	30	4	5.5	14	43	39	0.75	1.75
NTSC-T1-R8	8	44	12	50	46	42	4	6.5	20	51	47	0.75	1.75
NTSC-T1-R10	10	50	14	58	54	50	4	7.5	24	58	54	1	2
NTSC-T1-R12	12	58	16	68	64	60	4	8.5	29	66	62	1	2
NTSC-T1-R14	14	64	20	74	70	66	4	9.5	32	72	68	1	2
NTSC-T1-R16	16	72	22	80	76	72	4	10.5	35	80	76	1	2
NTSC-T1-R18	18	76	24	84	80	76	4	11.5	37	84	80	1	2
NTSC-T1-R20	20	90	26	92	88	84	4	12.5	41	100	94.75	1.25	2.25
NTSC-T1-R22	22	92	28	94	90	86	4	13.5	42	102	96.75	1.25	2.25
NTSC-T1-R24	24	94	30	96	92	88	4	14.5	43	104	98.75	1.25	2.25

* This 1" internally insulated model provides a great reduction in the outer surface temperature. Other models and custom designs are available upon request. Dimensions subject to change without notice. All silencers are equipped with drain ports on inlet side. The silencer is all welded construction and coated with high heat black paint for maximum durability.

** Standard inlet/outlet position.

Super Critical Grade Silencers

Rectangular Shape with 2" Insulation (34-41 dBA). Model NTSC2-R

Nett Technologies' Super Critical Grade Silencers are designed to achieve maximum performance with the least amount of backpressure.

These reactive/absorptive silencers are used for reciprocating or positive displacement engines where noise level regulations are medium-high.

FEATURES & BENEFITS

- Over 25 years of excellence in manufacturing noise and emission control solutions
- Compact modular designs providing ease of installations, less weight and less foot-print
- Responsive lead time for both standard and custom designs to meet your needs
- Customized engineered system solutions to meet challenging integration and engine requirements

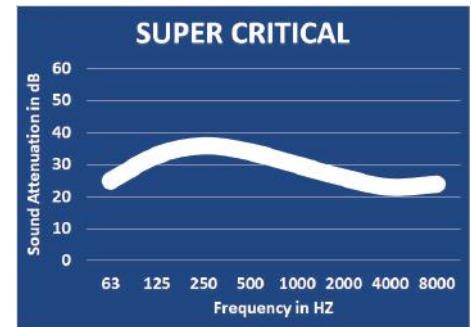
OPTIONS

- Versatile connections including ANSI pattern flanges, NPT, slip-on, engine flange, schedule 40 and others
- Aluminized Steel, Stainless Steel 304 or 316 construction
- Two inlet configuration is available upon request

ACCESSORIES

- Hardware Kits
- Flexible connectors and expansion joints
- Elbows
- Thimbles
- Raincaps
- Thermal insulation: integrated or with thermal insulation blankets

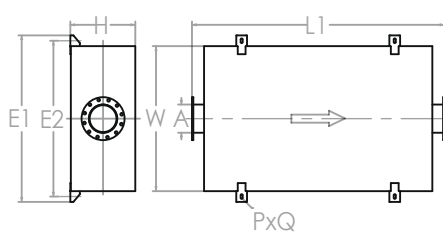
TYPICAL ATTENUATION CURVE



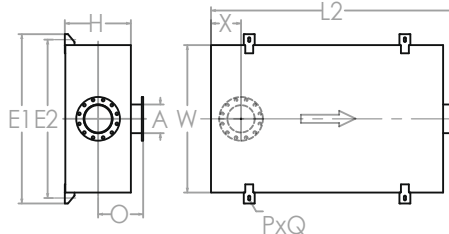
Please see our accessories catalog for a complete listing.

Contact Nett Technologies with your projects design requirements and specifications for optimized noise control solutions.

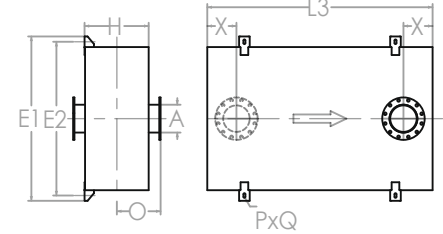
TYPICAL CONFIGURATIONS



END IN END OUT (EI-EO)



BOTTOM IN END OUT (BI-EO)



BOTTOM IN TOP OUT (BI-TO)

PRODUCT DIMENSIONS (in)

Model*	A	W	H	L1	L2	L3	O	X**	X	E1	E2	P	Q
	Outlet	Width	Height	EI-EO	BI-EO	BI-TO		Min	Max			Slot Dia	Slot L
NTCR-T2-R4	4	30	10	34	30	26	4	4.5	12	37	33	0.75	1.75
NTCR-T2-R5	5	32	12	38	34	30	4	5	14	39	35	0.75	1.75
NTCR-T2-R6	6	38	12	40	36	32	4	5.5	15	45	41	0.75	1.75
NTCR-T2-R8	8	46	14	52	48	44	4	6.5	21	53	49	0.75	1.75
NTCR-T2-R10	10	52	16	60	56	52	4	7.5	25	60	56	1	2
NTCR-T2-R12	12	60	18	70	66	62	4	8.5	30	68	64	1	2
NTCR-T2-R14	14	66	22	74	70	66	4	9.5	32	74	70	1	2
NTCR-T2-R16	16	74	24	82	78	74	4	10.5	36	82	78	1	2
NTCR-T2-R18	18	78	26	86	82	78	4	11.5	38	86	82	1	2
NTCR-T2-R20	20	92	28	94	90	86	4	12.5	42	102	96.75	1.25	2.25
NTCR-T2-R22	22	94	30	96	92	88	4	13.5	43	104	98.75	1.25	2.25
NTCR-T2-R24	24	96	32	98	94	90	4	14.5	44	106	100.75	1.25	2.25

* This 2" internally insulated model provides a great reduction in the outer surface temperature. Other models and custom designs are available upon request. Dimensions subject to change without notice. All silencers are equipped with drain ports on inlet side. The silencer is all welded construction and coated with high heat black paint for maximum durability.

** Standard inlet/outlet position.

Hospital Grade Silencers

Rectangular Shape with 1" Insulation (37-44 dBA). Model NTH01-R

Nett Technologies' Hospital Grade Silencers are designed to achieve maximum performance with the least amount of backpressure.

These reactive/absorptive silencers are used for reciprocating or positive displacement engines where noise level regulations are high.

FEATURES & BENEFITS

- Over 25 years of excellence in manufacturing noise and emission control solutions
- Compact modular designs providing ease of installations, less weight and less foot-print
- Responsive lead time for both standard and custom designs to meet your needs
- Customized engineered system solutions to meet challenging integration and engine requirements

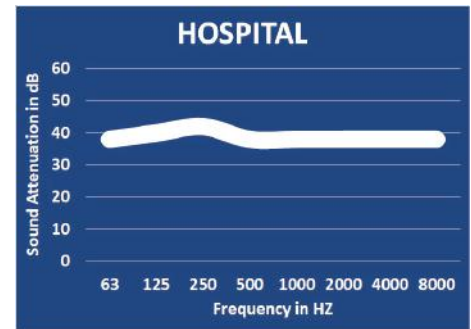
OPTIONS

- Versatile connections including ANSI pattern flanges, NPT, slip-on, engine flange, schedule 40 and others
- Aluminized Steel, Stainless Steel 304 or 316 construction
- Two inlet configuration is available upon request

ACCESSORIES

- Hardware Kits
- Flexible connectors and expansion joints
- Elbows
- Thimbles
- Raincaps
- Thermal insulation: integrated or with thermal insulation blankets

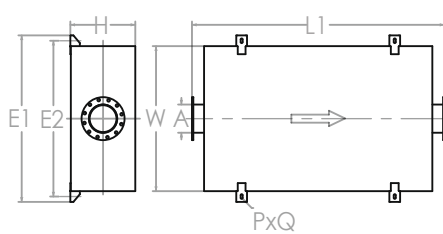
TYPICAL ATTENUATION CURVE



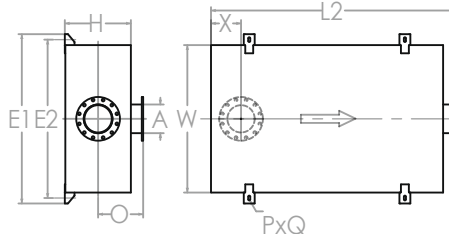
Please see our accessories catalog for a complete listing.

Contact Nett Technologies with your projects design requirements and specifications for optimized noise control solutions.

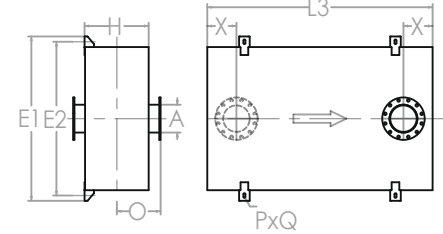
TYPICAL CONFIGURATIONS



END IN END OUT (EI-EO)



BOTTOM IN END OUT (BI-EO)



BOTTOM IN TOP OUT (BI-TO)

PRODUCT DIMENSIONS (in)

Model*	A	W	H	L1	L2	L3	O	X**	X	E1	E2	P	Q
	Outlet	Width	Height	EI-EO	BI-EO	BI-TO		Min	Max			Slot Dia	Slot L
NTHO-T1-R4	4	32	8	36	32	28	4	4.5	13	39	35	0.75	1.75
NTHO-T1-R5	5	34	10	40	36	32	4	5	15	41	37	0.75	1.75
NTHO-T1-R6	6	36	10	42	38	34	4	5.5	16	43	39	0.75	1.75
NTHO-T1-R8	8	50	12	54	50	46	4	6.5	22	58	54	1	2
NTHO-T1-R10	10	56	14	62	58	54	4	7.5	26	64	60	1	2
NTHO-T1-R12	12	62	18	68	64	60	4	8.5	29	70	66	1	2
NTHO-T1-R14	14	68	22	76	72	68	4	9.5	33	76	72	1	2
NTHO-T1-R16	16	74	24	84	80	76	4	10.5	37	82	78	1	2
NTHO-T1-R18	18	84	26	88	84	80	4	11.5	39	94	88.75	1.25	2.25
NTHO-T1-R20	20	90	28	96	92	88	4	12.5	43	100	94.75	1.25	2.25
NTHO-T1-R22	22	92	30	98	94	90	4	13.5	44	102	96.75	1.25	2.25
NTHO-T1-R24	24	94	32	100	96	92	4	14.5	45	104	98.75	1.25	2.25

* This 1" internally insulated model provides a great reduction in the outer surface temperature. Other models and custom designs are available upon request. Dimensions subject to change without notice. All silencers are equipped with drain ports on inlet side. The silencer is all welded construction and coated with high heat black paint for maximum durability.

** Standard inlet/outlet position.

Hospital Grade Silencers

Rectangular Shape with 2" Insulation (39-46 dBA). Model NTH02-R

Nett Technologies' Hospital Grade Silencers are designed to achieve maximum performance with the least amount of backpressure.

These reactive/absorptive silencers are used for reciprocating or positive displacement engines where noise level regulations are high.

FEATURES & BENEFITS

- Over 25 years of excellence in manufacturing noise and emission control solutions
- Compact modular designs providing ease of installations, less weight and less foot-print
- Responsive lead time for both standard and custom designs to meet your needs
- Customized engineered system solutions to meet challenging integration and engine requirements

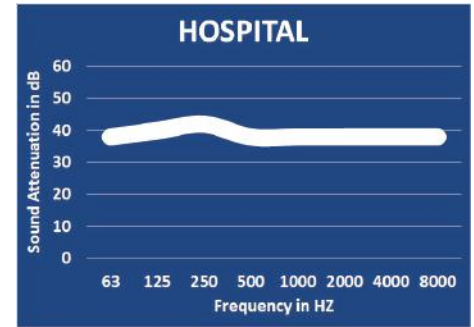
OPTIONS

- Versatile connections including ANSI pattern flanges, NPT, slip-on, engine flange, schedule 40 and others
- Aluminized Steel, Stainless Steel 304 or 316 construction
- Two inlet configuration is available upon request

ACCESSORIES

- Hardware Kits
- Flexible connectors and expansion joints
- Elbows
- Thimbles
- Raincaps
- Thermal insulation: integrated or with thermal insulation blankets

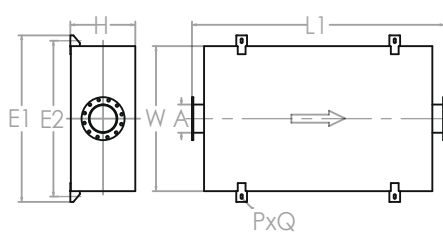
TYPICAL ATTENUATION CURVE



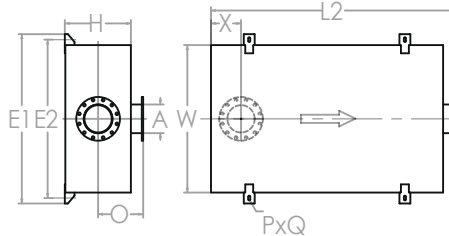
Please see our accessories catalog for a complete listing.

Contact Nett Technologies with your projects design requirements and specifications for optimized noise control solutions.

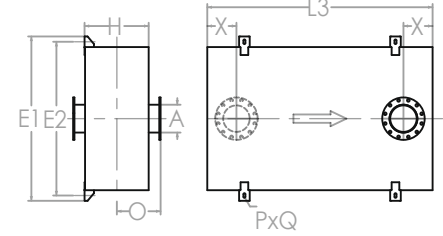
TYPICAL CONFIGURATIONS



END IN END OUT (EI-EO)



BOTTOM IN END OUT (BI-EO)



BOTTOM IN TOP OUT (BI-TO)

PRODUCT DIMENSIONS (in)

Model*	A	W	H	L1	L2	L3	O	X**	X	E1	E2	P	Q
	Outlet	Width	Height	EI-EO	BI-EO	BI-TO		Min	Max			Slot Dia	Slot L
NTHO-T2-R4	4	34	10	36	32	28	4	4.5	13	41	37	0.75	1.75
NTHO-T2-R5	5	36	12	40	36	32	4	5	15	43	39	0.75	1.75
NTHO-T2-R6	6	38	12	42	38	34	4	5.5	16	45	41	0.75	1.75
NTHO-T2-R8	8	52	14	54	50	46	4	6.5	22	60	56	1	2
NTHO-T2-R10	10	58	16	62	58	54	4	7.5	26	66	62	1	2
NTHO-T2-R12	12	64	20	68	64	60	4	8.5	29	72	68	1	2
NTHO-T2-R14	14	70	24	76	72	68	4	9.5	33	78	74	1	2
NTHO-T2-R16	16	76	26	84	80	76	4	10.5	37	84	80	1	2
NTHO-T2-R18	18	86	28	88	84	80	4	11.5	39	96	90.75	1.25	2.25
NTHO-T2-R20	20	92	30	96	92	88	4	12.5	43	102	96.75	1.25	2.25
NTHO-T2-R22	22	94	32	98	94	90	4	13.5	44	104	98.75	1.25	2.25
NTHO-T2-R24	24	96	34	100	96	92	4	14.5	45	106	100.75	1.25	2.25

* This 2" internally insulated model provides a great reduction in the outer surface temperature. Other models and custom designs are available upon request. Dimensions subject to change without notice. All silencers are equipped with drain ports on inlet side. The silencer is all welded construction and coated with high heat black paint for maximum durability.

** Standard inlet/outlet position.

Hospital Plus Grade Silencers

Rectangular Shape with 1" Insulation (40-50 dBA). Model NTHP1-R

Nett Technologies' Hospital Plus Grade Silencers are designed to achieve maximum performance with the least amount of backpressure.

These reactive/absorptive silencers are used for reciprocating or positive displacement engines where noise level regulations are critically-high.

FEATURES & BENEFITS

- Over 25 years of excellence in manufacturing noise and emission control solutions
- Compact modular designs providing ease of installations, less weight and less foot-print
- Responsive lead time for both standard and custom designs to meet your needs
- Customized engineered system solutions to meet challenging integration and engine requirements

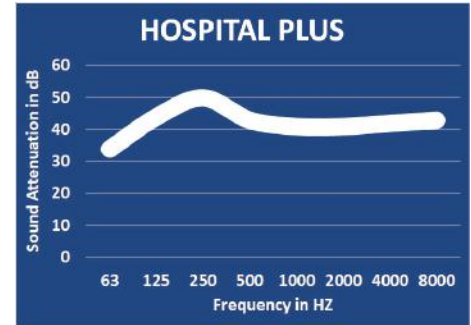
OPTIONS

- Versatile connections including ANSI pattern flanges, NPT, slip-on, engine flange, schedule 40 and others
- Aluminized Steel, Stainless Steel 304 or 316 construction
- Two inlet configuration is available upon request

ACCESSORIES

- Hardware Kits
- Flexible connectors and expansion joints
- Elbows
- Thimbles
- Raincaps
- Thermal insulation: integrated or with thermal insulation blankets

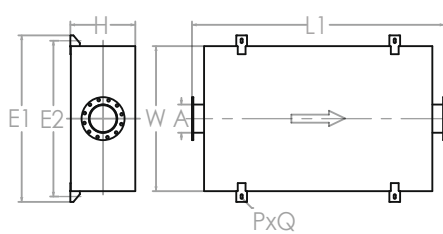
TYPICAL ATTENUATION CURVE



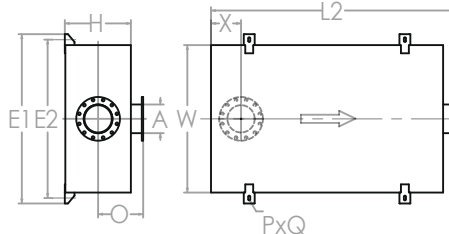
Please see our accessories catalog for a complete listing.

Contact Nett Technologies with your projects design requirements and specifications for optimized noise control solutions.

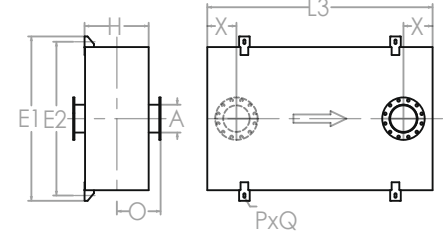
TYPICAL CONFIGURATIONS



END IN END OUT (EI-EO)



BOTTOM IN END OUT (BI-EO)



BOTTOM IN TOP OUT (BI-TO)

PRODUCT DIMENSIONS (in)

Model*	A	W	H	L1	L2	L3	O	X**	X	E1	E2	P	Q
	Outlet	Width	Height	EI-EO	BI-EO	BI-TO		Min	Max			Slot Dia	Slot L
NTHP-T1-R4	4	38	10	56	52	48	4	4.5	23	45	41	0.75	1.75
NTHP-T1-R5	5	42	12	62	58	54	4	5	26	49	45	0.75	1.75
NTHP-T1-R6	6	44	12	68	64	60	4	5.5	29	51	47	0.75	1.75
NTHP-T1-R8	8	58	14	94	90	86	4	6.5	42	66	62	1	2
NTHP-T1-R10	10	64	16	104	100	96	4	7.5	47	72	68	1	2
NTHP-T1-R12	12	68	20	108	104	100	4	8.5	49	76	72	1	2
NTHP-T1-R14	14	72	24	112	108	104	4	9.5	51	80	76	1	2
NTHP-T1-R16	16	82	26	120	116	112	4	10.5	55	92	86.75	1.25	2.25
NTHP-T1-R18	18	92	28	128	124	120	4	11.5	59	102	96.75	1.25	2.25
NTHP-T1-R20	20	94	30	152	148	144	4	12.5	71	104	98.75	1.25	2.25
NTHP-T1-R22	22	96	32	164	160	156	4	13.5	77	106	100.75	1.25	2.25
NTHP-T1-R24	24	96	34	176	172	168	4	14.5	83	106	100.75	1.25	2.25

* This 1" internally insulated model provides a great reduction in the outer surface temperature. Other models and custom designs are available upon request. Dimensions subject to change without notice. All silencers are equipped with drain ports on inlet side. The silencer is all welded construction and coated with high heat black paint for maximum durability.

** Standard inlet/outlet position.

Hospital Plus Grade Silencers

Rectangular Shape with 2" Insulation (42-52 dBA). Model NTHP2-R

Nett Technologies' Hospital Plus Grade Silencers are designed to achieve maximum performance with the least amount of backpressure.

These reactive/absorptive silencers are used for reciprocating or positive displacement engines where noise level regulations are critically-high.

FEATURES & BENEFITS

- Over 25 years of excellence in manufacturing noise and emission control solutions
- Compact modular designs providing ease of installations, less weight and less foot-print
- Responsive lead time for both standard and custom designs to meet your needs
- Customized engineered system solutions to meet challenging integration and engine requirements

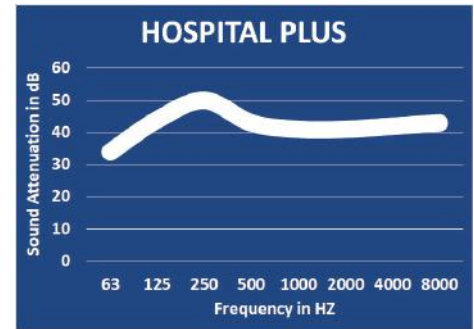
OPTIONS

- Versatile connections including ANSI pattern flanges, NPT, slip-on, engine flange, schedule 40 and others
- Aluminized Steel, Stainless Steel 304 or 316 construction
- Two inlet configuration is available upon request

ACCESSORIES

- Hardware Kits
- Flexible connectors and expansion joints
- Elbows
- Thimbles
- Raincaps
- Thermal insulation: integrated or with thermal insulation blankets

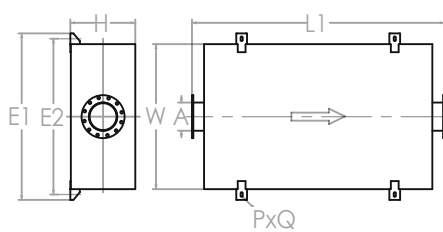
TYPICAL ATTENUATION CURVE



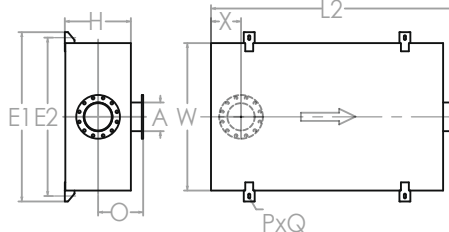
Please see our accessories catalog for a complete listing.

Contact Nett Technologies with your projects design requirements and specifications for optimized noise control solutions.

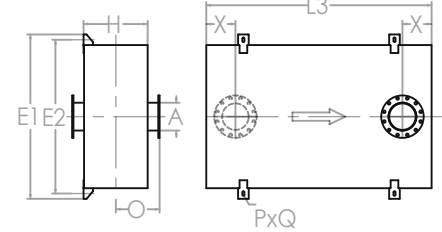
TYPICAL CONFIGURATIONS



END IN END OUT (EI-EO)



BOTTOM IN END OUT (BI-EO)



BOTTOM IN TOP OUT (BI-TO)

PRODUCT DIMENSIONS (in)

Model*	A	W	H	L1	L2	L3	O	X**	X	E1	E2	P	Q
	Outlet	Width	Height	EI-EO	BI-EO	BI-TO		Min	Max			Slot Dia	Slot L
NTHP-T2-R4	4	38	12	62	58	54	4	4.5	26	45	41	0.75	1.75
NTHP-T2-R5	5	42	14	68	64	60	4	5	29	49	45	0.75	1.75
NTHP-T2-R6	6	44	14	80	76	72	4	5.5	35	51	47	0.75	1.75
NTHP-T2-R8	8	58	16	94	90	86	4	6.5	42	66	62	1	2
NTHP-T2-R10	10	64	18	104	100	96	4	7.5	47	72	68	1	2
NTHP-T2-R12	12	68	22	108	104	100	4	8.5	49	76	72	1	2
NTHP-T2-R14	14	72	26	112	108	104	4	9.5	51	80	76	1	2
NTHP-T2-R16	16	82	28	128	124	120	4	10.5	59	92	86.75	1.25	2.25
NTHP-T2-R18	18	92	30	140	136	132	4	11.5	65	102	96.75	1.25	2.25
NTHP-T2-R20	20	94	32	152	148	144	4	12.5	71	104	98.75	1.25	2.25
NTHP-T2-R22	22	96	34	176	172	168	4	13.5	83	106	100.75	1.25	2.25
NTHP-T2-R24	24	96	36	188	184	180	4	14.5	89	106	100.75	1.25	2.25

* This 2" internally insulated model provides a great reduction in the outer surface temperature. Other models and custom designs are available upon request. Dimensions subject to change without notice. All silencers are equipped with drain ports on inlet side. The silencer is all welded construction and coated with high heat black paint for maximum durability.

** Standard inlet/outlet position.

Super Hospital Plus Grade Silencers

Rectangular Shape with 2" Insulation (50-60 dBA). Model NTSH2-R

Nett Technologies' Super Hospital Plus Silencers are designed to achieve maximum performance with the least amount of backpressure.

These reactive/absorptive silencers are used for reciprocating or positive displacement engines where noise level regulations are extreme.

FEATURES & BENEFITS

- Over 25 years of excellence in manufacturing noise and emission control solutions
- Compact modular designs providing ease of installations, less weight and less foot-print
- Responsive lead time for both standard and custom designs to meet your needs
- Customized engineered system solutions to meet challenging integration and engine requirements

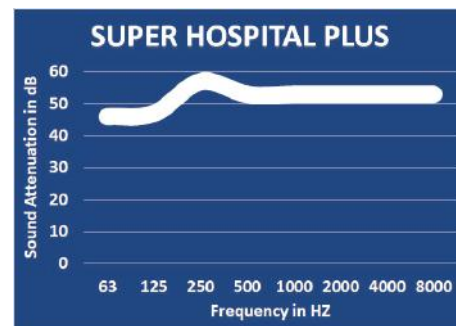
OPTIONS

- Versatile connections including ANSI pattern flanges, NPT, slip-on, engine flange, schedule 40 and others
- Aluminized Steel, Stainless Steel 304 or 316 construction
- Two inlet configuration is available upon request

ACCESSORIES

- Hardware Kits
- Flexible connectors and expansion joints
- Elbows
- Thimbles
- Raincaps
- Thermal insulation: integrated or with thermal insulation blankets

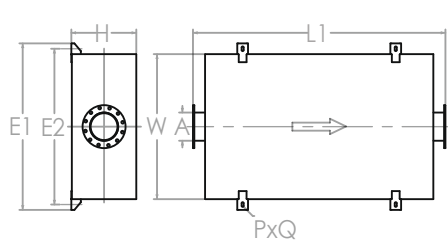
TYPICAL ATTENUATION CURVE



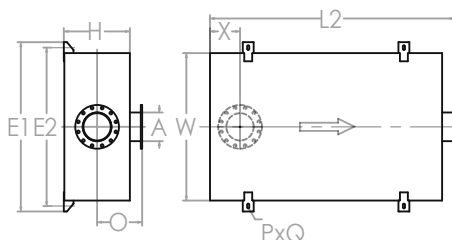
Please see our accessories catalog for a complete listing.

Contact Nett Technologies with your projects design requirements and specifications for optimized noise control solutions.

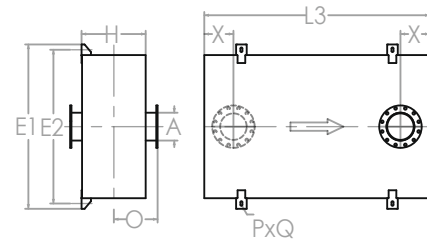
TYPICAL CONFIGURATIONS



END IN END OUT (EI-EO)



BOTTOM IN END OUT (BI-EO)



BOTTOM IN TOP OUT (BI-TO)

PRODUCT DIMENSIONS (in)

Model*	A	W	H	L1	L2	L3	O	X**	X	E1	E2	P	Q
	Outlet	Width	Height	EI-EO	BI-EO	BI-TO		Min	Max			Slot Dia	Slot L
NTSH-T2-R4	4	30	12	62	58	54	4	4.5	26	37	33	0.75	1.75
NTSH-T2-R5	5	36	14	68	64	60	4	5	29	43	39	0.75	1.75
NTSH-T2-R6	6	48	14	80	76	72	4	5.5	35	56	52	1	2
NTSH-T2-R8	8	60	16	94	90	86	4	6.5	42	68	64	1	2
NTSH-T2-R10	10	68	18	104	100	96	4	7.5	47	76	72	1	2
NTSH-T2-R12	12	72	22	108	104	100	4	8.5	49	80	76	1	2
NTSH-T2-R14	14	72	26	112	108	104	4	9.5	51	80	76	1	2
NTSH-T2-R16	16	80	28	120	116	112	4	10.5	55	88	84	1	2
NTSH-T2-R18	18	92	30	128	124	120	4	11.5	59	102	96.75	1.25	2.25
NTSH-T2-R20	20	94	32	140	136	132	4	12.5	65	104	98.75	1.25	2.25
NTSH-T2-R22	22	96	34	144	140	136	4	13.5	67	106	100.75	1.25	2.25
NTSH-T2-R24	24	100	36	162	158	154	4	14.5	76	110	104.75	1.25	2.25

* This 2" internally insulated model provides a great reduction in the outer surface temperature. Other models and custom designs are available upon request. Dimensions subject to change without notice. All silencers are equipped with drain ports on inlet side. The silencer is all welded construction and coated with high heat black paint for maximum durability.

** Standard inlet/outlet position.