

Hospital Grade Silencers

Disc Shape with 2" Insulation (37-42 dBA). Model NTH02-D

Nett Technologies' Hospital Grade Silencers are designed to achieve maximum performance with the least amount of backpressure. These reactive/absorptive silencers are typically used for reciprocating or positive displacement engines where noise level regulations are high.

FEATURES & BENEFITS

- Over 25 years of excellence in manufacturing noise and emission control solutions
- Compact modular designs providing ease of installations, less weight and less foot-print
- Responsive lead time for both standard and custom designs to meet your needs
- Customized engineered system solutions to meet challenging integration and engine requirements

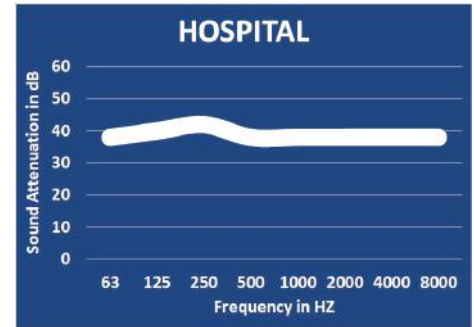
OPTIONS

- Versatile connections including ANSI pattern flanges, NPT, slip-on, engine flange, schedule 40 and others
- Aluminized Steel, Stainless Steel 304 or 316 construction
- Two inlet configuration is available upon request

ACCESSORIES

- Hardware Kits
- Flexible connectors and expansion joints
- Elbows
- Thimbles
- Raincaps
- Thermal insulation: integrated or with thermal insulation blankets

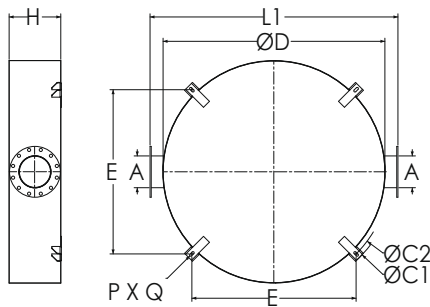
TYPICAL ATTENUATION CURVE



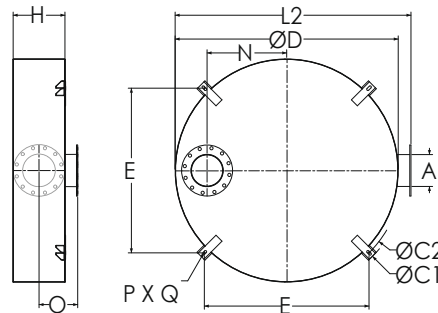
Please see our accessories catalog for a complete listing.

Contact Nett Technologies with your projects design requirements and specifications for optimized noise control solutions.

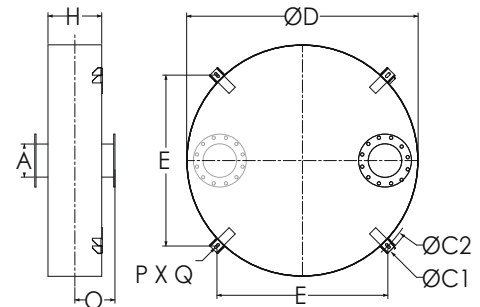
TYPICAL CONFIGURATIONS



END IN END OUT (EI-EO)



BOTTOM IN END OUT (BI-EO)



BOTTOM IN TOP OUT (BI-TO)

PRODUCT DIMENSIONS (in)

Model*	A	D	H	L1	L2	O	N	E	C1	C2	P	Q
	Outlet	Dia	Height	EI-EO	BI-EO		Max				Slot Dia	Slot L
NTH02-D4	4	28	12	36	32	10	8.5	21.38	35	30.25	0.625	1.375
NTH02-D5	5	30	14	38	34	11	9	22.75	37	32.25	0.625	1.375
NTH02-D6	6	34	14	42	38	11	10.5	25.63	41	36.25	0.625	1.375
NTH02-D8	8	38	18	46	42	13	11.25	29	46	41	0.75	1.75
NTH02-D10	10	44	20	52	48	14	13	33.25	52	47	0.75	1.75
NTH02-D12	12	46	24	54	50	16	12.5	34.63	54	49	0.75	1.75
NTH02-D14	14	54	26	62	58	17	15.5	40.25	62	57	0.75	1.75
NTH02-D16	16	60	28	68	64	18	17.25	45.25	69	64	1	2
NTH02-D18	18	66	32	74	70	20	19.5	49.50	75	70	1	2
NTH02-D20	20	70	42	74	74	25	20.25	52	79	74	1	2

* This 2" internally insulated model provides a great reduction in the outer surface temperature. Other models and custom designs are available upon request. Dimensions subject to change without notice. All silencers are equipped with drain ports on inlet side. The silencer is all welded construction and coated with high heat black paint for maximum durability.