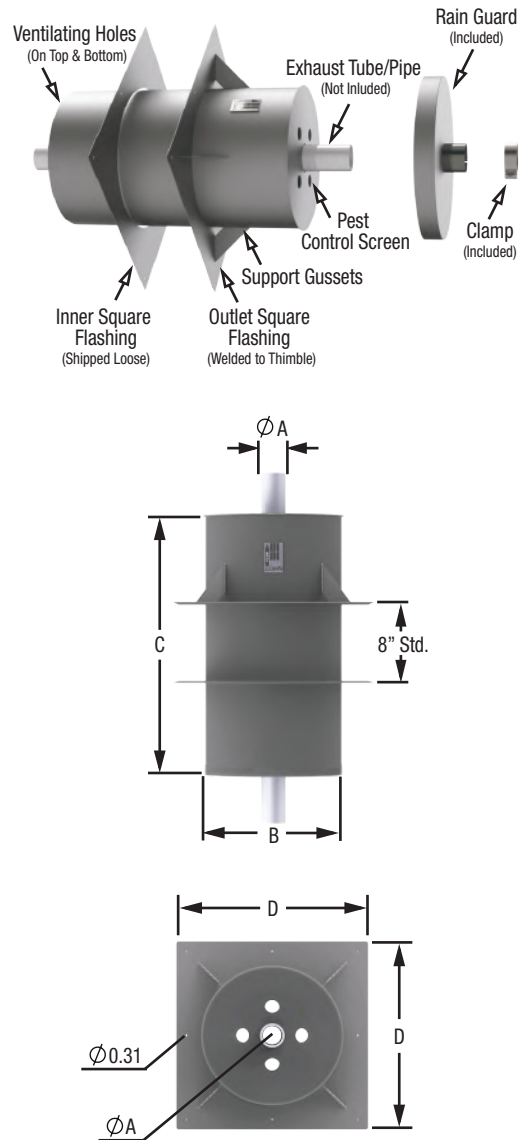


Thimbles

Combustible Roof and Wall Thimbles

Combustible Thimbles						
Mild Steel Part Numbers	Stainless Steel Part Numbers	Pipe/Tube Size	A (Pipe/Tube OD)	B (Width)	C (Height)	D (Inner Square Flashing Size)
TH-MSCB-01000	TH-SSCB-01000	1" Tube	1	12	26	18
TH-MSCB-01315	TH-SSCB-01315	1" Pipe	1.315	12	26	18
TH-MSCB-02000	TH-SSCB-02000	2" Tube	2	14	26	20
TH-MSCB-02375	TH-SSCB-02375	2" Pipe	2.375	14	26	20
TH-MSCB-02875	TH-SSCB-02875	2.5" Pipe	2.875	16	26	22
TH-MSCB-03000	TH-SSCB-03000	3" Tube	3	16	26	22
TH-MSCB-03500	TH-SSCB-03500	3" Pipe	3.5	16	26	22
TH-MSCB-04000	TH-SSCB-04000	4" Tube	4	16	26	22
TH-MSCB-04500	TH-SSCB-04500	4" Pipe	4.5	16	26	22
TH-MSCB-05000	TH-SSCB-05000	5" Tube	5	18	26	24
TH-MSCB-05563	TH-SSCB-05563	5" Pipe	5.563	18	26	24
TH-MSCB-06000	TH-SSCB-06000	6" Tube	6	18	26	24
TH-MSCB-06625	TH-SSCB-06625	6" Pipe	6.625	18	26	24
TH-MSCB-08000	TH-SSCB-08000	8" Tube	8	20	26	26
TH-MSCB-08625	TH-SSCB-08625	8" Pipe	8.625	20	26	26
TH-MSCB-10000	TH-SSCB-10000	10" Tube	10	22	26	28
TH-MSCB-10750	TH-SSCB-10750	10" Pipe	10.75	22	26	28
TH-MSCB-12000	TH-SSCB-12000	12" Tube	12	24	26	30
TH-MSCB-12750	TH-SSCB-12750	12" Pipe	12.75	24	26	30
TH-MSCB-14000	TH-SSCB-14000	14" Tube	14	26	26	32
TH-MSCB-16000	TH-SSCB-16000	16" Tube	16	28	26	34
TH-MSCB-18000	TH-SSCB-18000	18" Tube	18	30	26	36

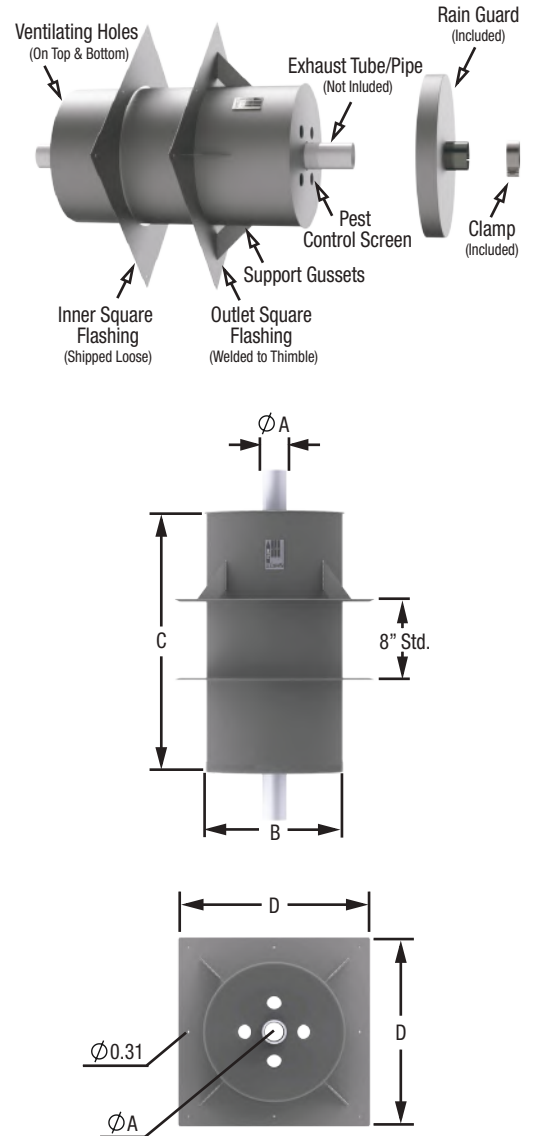


- Select Thimble size based on the material Sch 40 pipe or OD Tubing. All dimensions are in inches.
- When calculating height, thimble must have a 9" clearance on each side of the wall. To prevent warping, outer flashing is not continuously welded.
- Conforms to NFPA 37 and 110. The above thimbles have been sized for standard (8") thickness walls. Thimbles for other wall thicknesses are available upon request.
- Confirmation of roof pitch is required for all orders. Non-flat roof applications may incur additional charges.
- All thimbles are insulated. The thermal barrier used within the thimbles is composed of high density, type "E" fibers, fibrous glass heavy-duty insulation. Please apply high-temp silicone caulking where needed.
- Dimensions and specifications may be subject to change without prior notification. Product images are for illustrative purposes only and may differ from the actual product.
- Install per Nett's Installation Instructions.
- Custom applications are available upon request. Please contact Nett Technologies for details.

Thimbles

Non-Combustible Roof and Wall Thimbles

Non-Combustible Thimbles						
Mild Steel Part Numbers	Stainless Steel Part Numbers	Pipe/Tube Size	A (Pipe/Tube OD)	B (Width)	C (Height)	D (Inner Square Flashing Size)
TH-MSNC-01000	TH-SSNC-01000	1" Tube	1	8	26	14
TH-MSNC-01315	TH-SSNC-01315	1" Pipe	1.315	8	26	14
TH-MSNC-02000	TH-SSNC-02000	2" Tube	2	9	26	15
TH-MSNC-02375	TH-SSNC-02375	2" Pipe	2.375	9	26	15
TH-MSNC-02875	TH-SSNC-02875	2.5" Pipe	2.875	9	26	15
TH-MSNC-03000	TH-SSNC-03000	3" Tube	3	10	26	16
TH-MSNC-03500	TH-SSNC-03500	3" Pipe	3.5	10	26	16
TH-MSNC-04000	TH-SSNC-04000	4" Tube	4	12	26	18
TH-MSNC-04500	TH-SSNC-04500	4" Pipe	4.5	12	26	18
TH-MSNC-05000	TH-SSNC-05000	5" Tube	5	12	26	18
TH-MSNC-05563	TH-SSNC-05563	5" Pipe	5.563	12	26	18
TH-MSNC-06000	TH-SSNC-06000	6" Tube	6	14	26	20
TH-MSNC-06625	TH-SSNC-06625	6" Pipe	6.625	14	26	20
TH-MSNC-08000	TH-SSNC-08000	8" Tube	8	16	26	22
TH-MSNC-08625	TH-SSNC-08625	8" Pipe	8.625	16	26	22
TH-MSNC-10000	TH-SSNC-10000	10" Tube	10	18	26	24
TH-MSNC-10750	TH-SSNC-10750	10" Pipe	10.75	18	26	24
TH-MSNC-12000	TH-SSNC-12000	12" Tube	12	20	26	26
TH-MSNC-12750	TH-SSNC-12750	12" Pipe	12.75	20	26	26
TH-MSNC-14000	TH-SSNC-14000	14" Tube	14	20	26	26
TH-MSNC-16000	TH-SSNC-16000	16" Tube	16	22	26	28
TH-MSNC-18000	TH-SSNC-18000	18" Tube	18	26	26	32



- Select Thimble size based on the material Sch 40 pipe or OD Tubing. All dimensions are in inches.
- When calculating height, thimble must have a 9" clearance on each side of the wall. To prevent warping, outer flashing is not continuously welded.
- The above thimbles have been sized for standard (8") thickness walls. Thimbles for other wall thicknesses are available upon request.
- Confirmation of roof pitch is required for all orders. Non-flat roof applications may incur additional charges.
- All thimbles are insulated. The thermal barrier used within the thimbles is composed of high density, type "E" fibers, fibrous glass heavy-duty insulation. Please apply high-temp silicone caulking where needed.
- Dimensions and specifications may be subject to change without prior notification. Product images are for illustrative purposes only and may differ from the actual product.
- Install per Nett's Installation Instructions.
- Custom applications are available upon request. Please contact Nett Technologies for details.