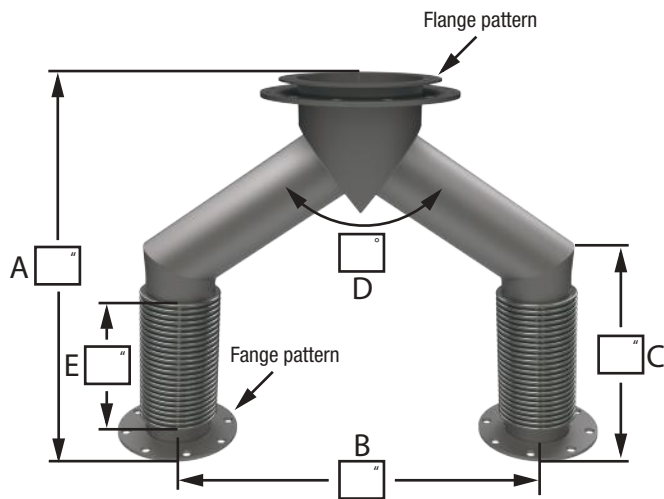


# WYE Connectors

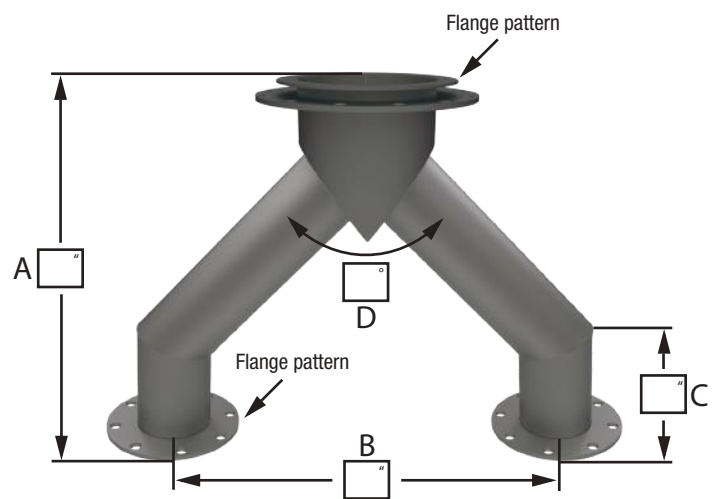
## Technical Spec Sheet

Please specify the following dimensions when quoting/ordering your Wye-Connector:

### WYE-CONNECTORS WITH FLEXES



### WYE-CONNECTORS WITHOUT FLEXES



- Please specify the NPT port/s location if required.
- All fixed flanges should be connected to the floating flanges and vice versa. Please consider this when designing your Wye-Connector.
- All ANSI Flanges are 150# bolt pattern. Please see our flange catalog for details.
- All ANSI Flanges may be replaced with standard Caterpillar, Cummins, or MTU engine flanges.
- Carbon steel construction finished with high-temperature black paint (also available in stainless steel). All single-ply annular hoses (if applicable) are 321 Stainless Steel.
- Standard length of the single-ply annular hose is 12" on each side. Other sizes are available upon request. Please see our single-ply flex technical spec sheet for more details.
- Product images are for illustrative purposes only and may differ from the actual product.
- Other connections (NPT, slip-on, flared lip, etc.) and low back pressure custom designs are available upon request. Please contact Nett Technologies for details.