



Nett Technologies Inc.

6154 Kestrel Road, Mississauga, Ontario

Canada L5T 1Z2

tel: 905.672.5453

fax: 905.672.5949

e-mail: sales@nettinc.com

web: www.nettinc.com

Installation manual

Roof and Wall Thimbles



Contents

Product Description	3
Combustible Wall and Roof Thimble Overview	3
Non-Combustible Wall and Roof Thimble Overview	4
Receiving Inspection	4
Storage.....	4
Thimble Installation Instruction	5
Installation Checklist.....	6
Maintenance	8
Product Registration / Warranty	8
Sourcing of Spare or Replacement Parts	8

Installation manual

Product Description

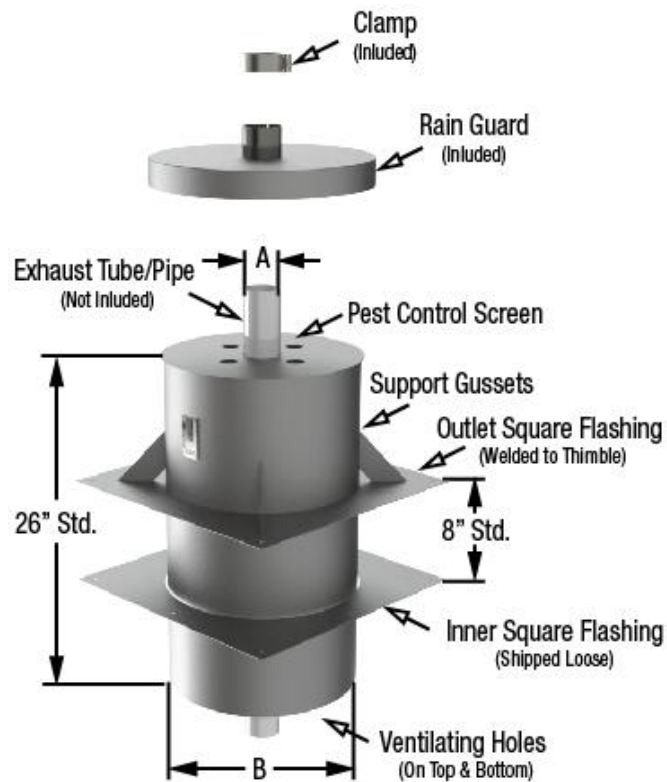
Note: Follow the instructions indicated here for the installation, checks and maintenance to preserve warranty coverage.

WARNING: ALL ELECTRICAL AND MECHANICAL WORK TO BE PERFORMED BY QUALIFIED TRAINED PROFESSIONALS AND IN ACCORDANCE TO LOCAL LAWS AND BYLAWS. SAFETY IS FIRST: PROPER ATTIRE MUST BE WORN AT ALL TIMES, INCLUDING HARD HATS, SAFETY GLASSES, PROTECTIVE OUTERWEAR, EAR PROTECTION, AND STEEL-TOED BOOTS.

Combustible Wall and Roof Thimble Overview

Thimbles are fixed or removable ring, tube, or lining usually located in the hole where the exhaust stack / chimney connector or vent connector passes through a wall or enters a chimney/stack or vent. Thimbles are designed in accordance with NFPA (National Fire Protection Association) codes protecting wall and roof material from exhaust pipe heat.

Installation manual



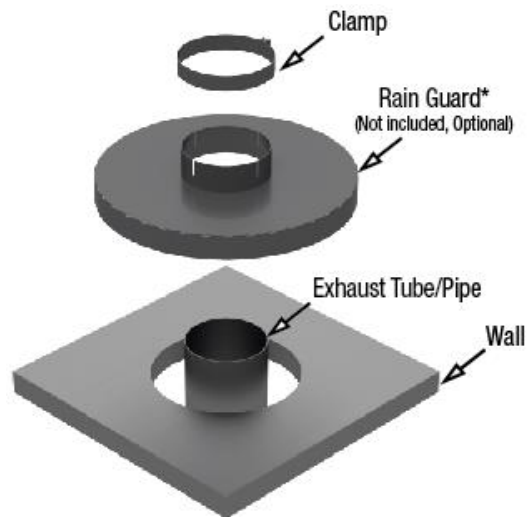


Figure 1. Picture of Nett Technologies Thimble

Non-Combustible Wall and Roof Thimble Overview

These thimbles are designed for non-combustible metal enclosures only.

Receiving Inspection

Confirm that you received the right part by verifying the part number against your order.

Confirm that you received all components.

Advise sales@nettinc.com of any missing parts or shipping damage within three days of receipt of the product.

Storage

- Ensure all openings are closed so that no debris, vermin, rain, snow and/or ice can get into the unit.
- Store the product on blocks, a minimum of 2" high, so that air can freely circulate around the unit.
- Do not store the product in contact with the ground or in a wet, humid, or flooded area.

Thimble Installation Instructions

Consult all applicable building, fire, and electrical codes together with the following:

1. Review all images prior to installation. Ensure all required components are present. Separate the upper portion of the thimble from the lower thimble flashing and remove the Rain Guard. The exterior flashing is welded to the thimble body with support gussets.
2. Ensure no structural members, electrical or plumbing, or other critical wiring/members are located where the exhaust piping penetrates the roof or wall of the building.
3. Use appropriate expansion joint, flex, etc. to reduce premature failure due to thermal expansion.
4. Cut a hole in the roof/wall sized $\frac{1}{4}$ " larger than the Thimble diameter or as the installing contractor deems more adequate.
5. Apply a bead of Hi-Temperature Rated Sealant that is flexible, durable, tough, waterproof (i.e. PERMATEX Red High Temp RTV Adhesive Sealant or Mil-A-46106B, 100 Series RTV) around the perimeter of the exterior flashing that will be in contact with the roof/wall and is a minimum of 1" inch from the edge of the flashing.
6. Install the thimble through the penetration so that the exterior flashing is flushed to the roof/wall—clocking as needed.
7. Apply a bead of Hi-Temperature Rated Sealant around the perimeter of the interior flashing that will be in contact with the roof/wall and is a minimum of 1" inch from the edge of the flashing.

Note: Hi-Temperature Sealant is mandatory for the proper installation of the product. Should the product be installed without the Hi-Temperature Rated Sealant, the warranty is void.

8. Install the interior flashing and rotate as needed.
9. Fasten corrosion-resistant fasteners into both the exterior and interior flashing surfaces; install the fasteners wet with Hi-Temperature Rated Sealant in order to secure the thimble.
10. With thimble installed and fastened to Roof/Wall, insert exhaust piping through the ID Hole of the Thimble. Ensure that enough exhaust piping is installed to be able to install the rain cap and clamp.

Note: Avoid metal-to-metal contact; Ensure that the exhaust piping is not in contact with the inner wall of the thimble to avoid undesired noise and failure modes.

11. Use Hi-Temperature Rated Sealant to install a $\frac{1}{2}$ " bead of sealant at the gap around the perimeter of the thimble body and the exterior flashing. Review Image 2.
12. From the exterior of the building, install the rain guard (if applicable) over the exhaust pipe with the clamp. This is applicable to either roof or wall thimbles.
13. Tighten the clamp in order to secure the rain guard to the thimble.

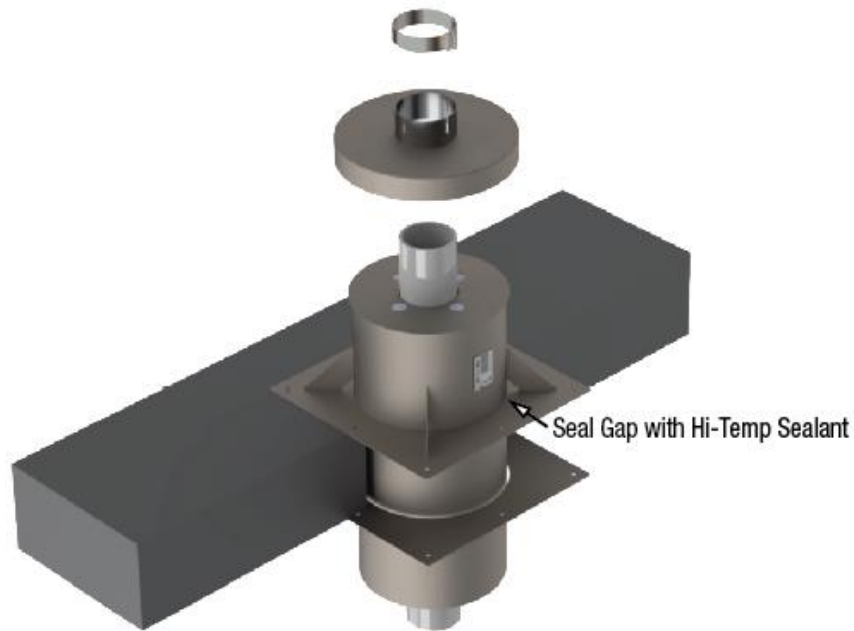


Figure 2. Thimble Installation – For illustration only; the product may look different than depicted

Installation manual

Installation Checklist

Use the following checklist to ensure that all components of your exhaust system are properly installed and ready for operation:

- Ensure a safe exhaust discharge routing; avoid the exhaust outlet that is directed towards any openings or air entry routes (doors, windows, vents, etc.) of an occupied building. Ensure there is no combustible element at or on the way of discharge.
- Insulate the tubes/routing as necessary to prevent operator burns and reduce pipe radiant heat losses.
- Use pipe sleeves or fireproof materials for pipes that pass through building materials as per local codes.
- Avoid rain falling into the exhaust system. Exhaust pipe to include rain cap or to be installed horizontally.
- Clean all surfaces. When cleaning the surfaces, do not use abrasive materials such as steel wool or wire brushes. Use only isopropyl alcohol and clean, soft rags.

Note: Do not use Chloride or Halide based cleaners.

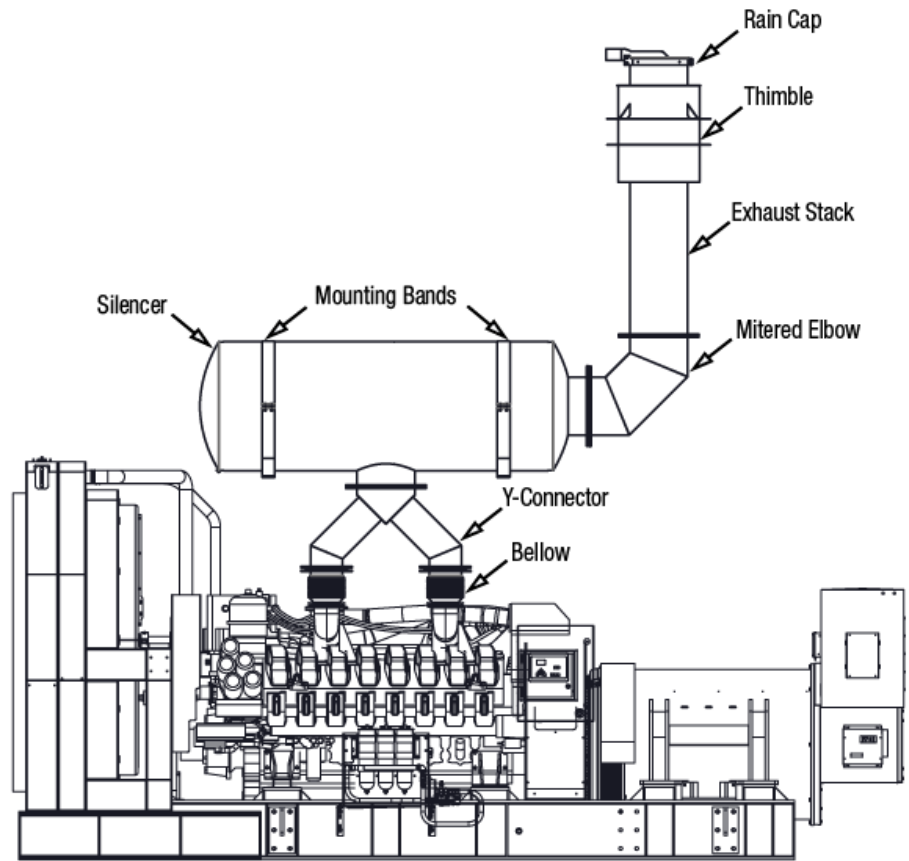


Figure 3. Typical Exhaust System Installation - For illustration only; the product may look different than depicted

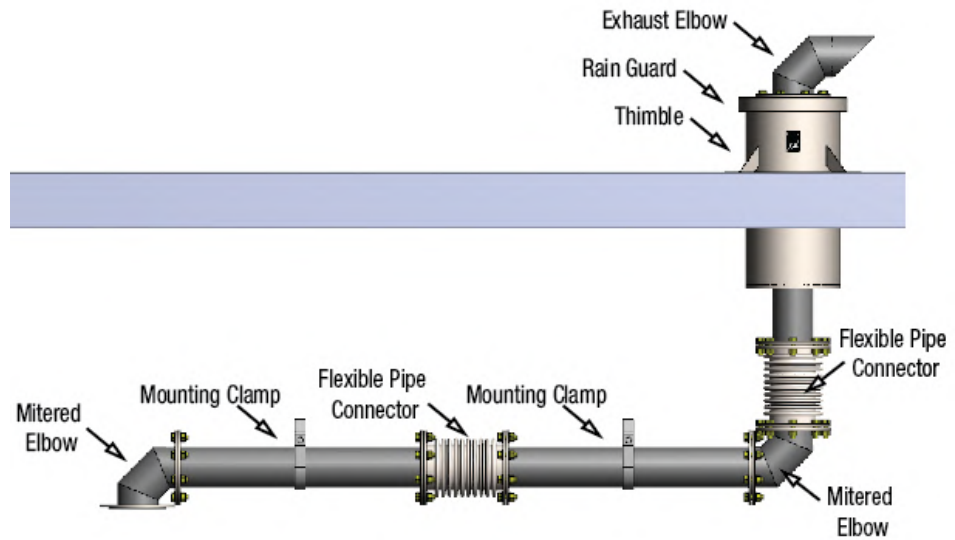


Figure 4. Typical Exhaust System Installation - For illustration only; the product may look different than depicted

Maintenance

Note: Avoid touching hot surfaces. Ensure exhaust components are cool prior to inspection and maintenance activities.

Please do as follows:

1. **Weekly:** Physical inspection for any sign of exhaust gas leakage, cracks, dents, gouging, or significant areas of damage.
2. **Quarterly:** Examine the exhaust system for corrosion. Clean and remove any minor corrosion. Examine connecting flanges and support bolting – retighten any loose bolts as required.

Disclaimer: The information provided in this manual serves as a guide. It is strongly recommended to follow the advice of a properly licensed and qualified contractor, electrician, or building inspector or used in place of a detailed review of the applicable National Electric Codes, National Fire Protection Association, and other applicable local codes. Specific questions about how this information may affect any particular situation should be addressed to the local building inspector.

Warranty

To claim your warranty, please contact us at sales@nettinc.com or (905) 672-5453. Please see the Terms and Conditions attached to the work order confirmation for further warranty details.

Sourcing of Spare or Replacement Parts

For spare or replacement parts, a full line of accessories, warranty details, and other questions about the Nett Technologies products, contact us at sales@nettinc.com or (905) 672-5453.